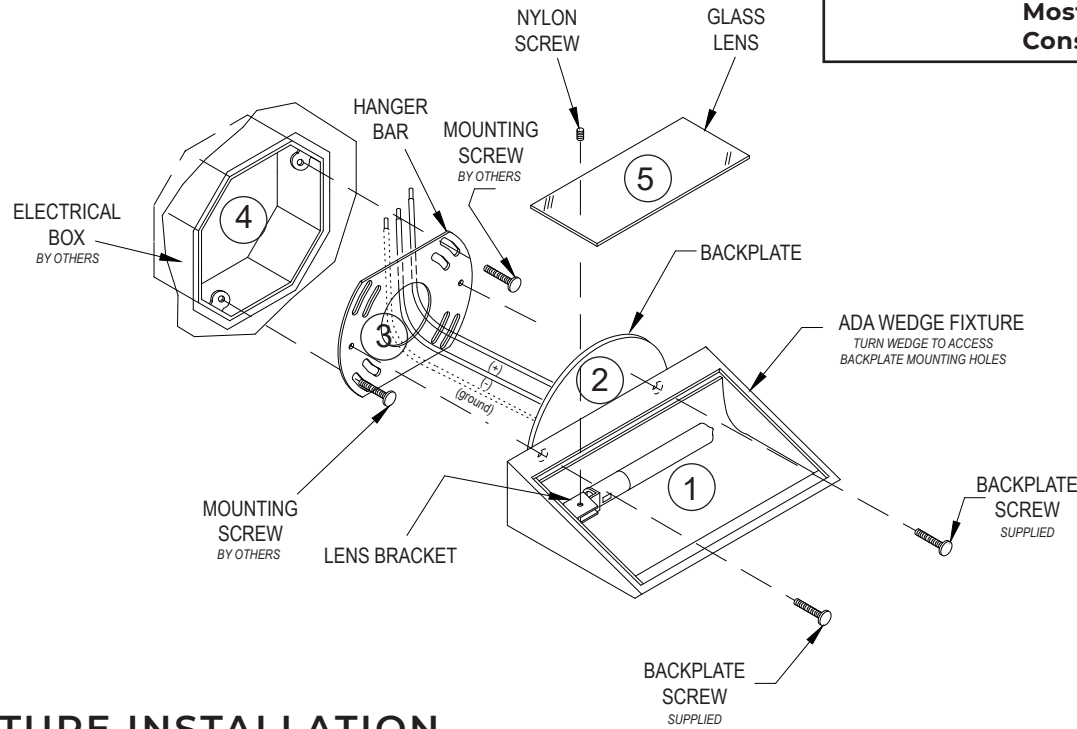


## WS 8815-HAL The ADA Wedge™

### READ ALL INSTRUCTIONS CAREFULLY

**CAUTION:** DISCONNECT POWER SUPPLY BEFORE INSTALLATION  
**CAUTION:** DISCONNECT POWER SUPPLY BEFORE RELAMPING  
**CAUTION:** **RISK OF FIRE:**  
Most dwellings built before 1985 have supply wire rated 60°C.  
Consult a qualified electrician before installing.



### LEGEND

- (1) FIXTURE
- (2) BACKPLATE
- (3) HANGER BAR
- (4) ELECTRICAL BOX (BY OTHERS)  
RECOMMENDED 4" OCTAGON ELECTRICAL BOX
- (5) GLASS LENS

## FIXTURE INSTALLATION

THIS PRODUCT MUST BE INSTALLED IN ACCORDANCE WITH THE APPLICABLE INSTALLATION CODE BY A PERSON FAMILIAR WITH THE CONSTRUCTION AND OPERATION OF THIS PRODUCT AND THE HAZARDS INVOLVED.

### STEP 1: TURN OFF THE POWER SUPPLY TO THE ELECTRICAL BOX

Recommended 4" octagonal electrical box (#4)

### STEP 2: INSTALL THE HANGER BAR

- Mount the hanger bar (#3) to the electrical box (#4) with the two (2) screws that come with the electrical box (supplied by others).

### STEP 3: WIRE THE FIXTURE

- Pull the fixture wire thru the hanger bar (#3) center hole to the electrical box (#4).  
- Wire main AC power (120VAC).

### STEP 4: MOUNT BACKPLATE

- Mount backplate (#2) to the hangerbar with the two (2) screws supplied by Belfer.  
- The fixture can be turned to access the mounting holes.

### STEP 5: POSITION FIXTURE CORRECTLY

- Turn the Fixture (#1) back to the horizontal position.

### STEP 6: INSTALL LAMP

*Halogen lamps will smoke from oils on hands. Use glove or cloth to install. Recommended lamp brands are Osram, Ushio, Phillips and GE. Other brands may cause socket failure from heat.*

- Install lamp using gloves or cloth by inserting in bi-pin socket and half twisting into place.

### STEP 7: INSTALL GLASS LENS

- Install glass lens (and any additional lens accessories) by sliding into the lens bracket. This is held in place by tightening the nylon screw.

### STEP 8: TURN THE POWER ON