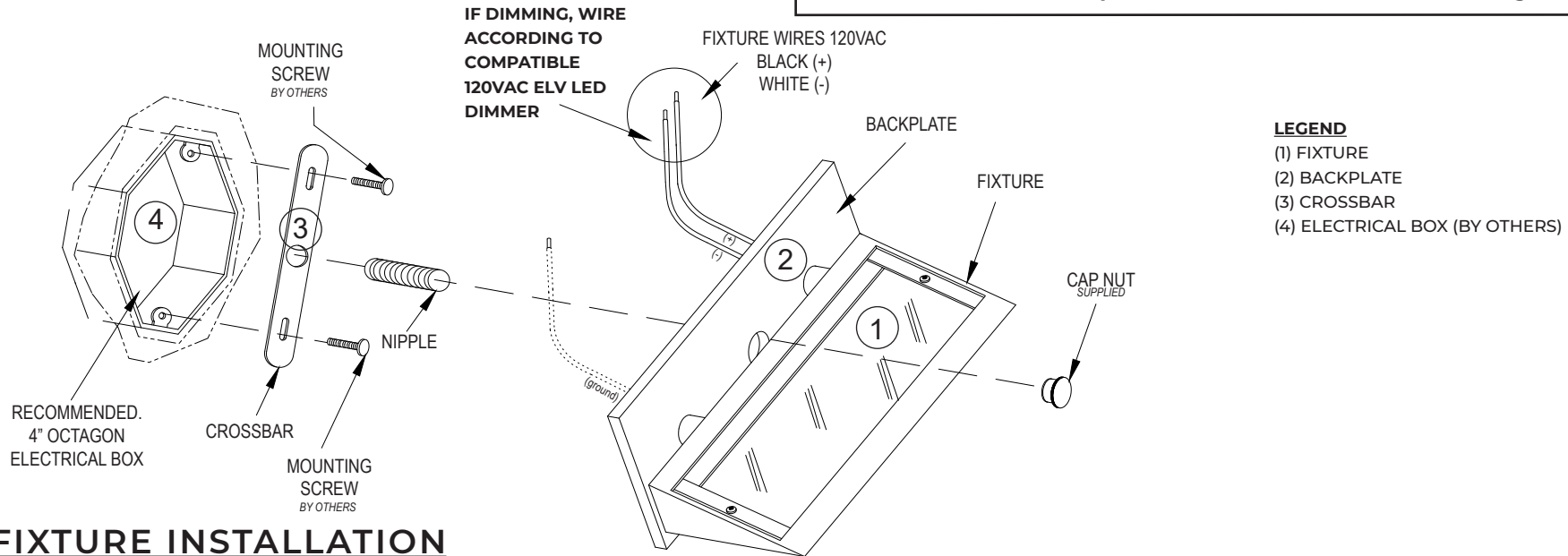


WS 7230-LED-ELV-1 The LED Double Wedge Lens™

READ ALL INSTRUCTIONS CAREFULLY

CAUTION: DISCONNECT POWER SUPPLY BEFORE INSTALLATION
CAUTION: RISK OF FIRE:
Most dwellings built before 1985 have supply wire rated 60°C.
Consult a qualified electrician before installing.



FIXTURE INSTALLATION

THIS PRODUCT MUST BE INSTALLED IN ACCORDANCE WITH THE APPLICABLE INSTALLATION CODE BY A PERSON FAMILIAR WITH THE CONSTRUCTION AND OPERATION OF THIS PRODUCT AND THE HAZARDS INVOLVED.

STEP 1: TURN OFF THE POWER SUPPLY TO THE ELECTRICAL BOX

Recommended 4" octagonal electrical box, 2" min deep (#4)

STEP 2: MOUNT THE CROSSBAR

- Mount the crossbar (#3) to the electrical box (#4) with the two (2) screws that come with the electrical box (supplied by others).

STEP 3: WIRE THE FIXTURE

- Pull the Black (+) and White (-) wires from the fixture (#1) around the crossbar (#3) to the electrical box (#4) according to code.
- Wire main AC power (120VAC).

STEP 4: WIRE THE LED FIXTURE

FOR NON DIMMING

- Wire main AC power (120VAC) to the Black (+) and White (-) wires from the fixture (#1).

FOR DIMMING

*This fixture is compatible with ELV LED dimmer switches ONLY.
The dimmer switch wires must be in place or installed and routed into the electrical box.*
- Wire according to compatible 120VAC ELV LED dimmer.
- "Tuck" the wires thru the hanger bar (#3) center hole into the electrical box.

STEP 5: MOUNT BACKPLATE

- Mount Fixture (#1) and backplate (#2) to the crossbar with nipple and cap nut as shown (supplied by Belfer).

STEP 6: TURN THE POWER ON