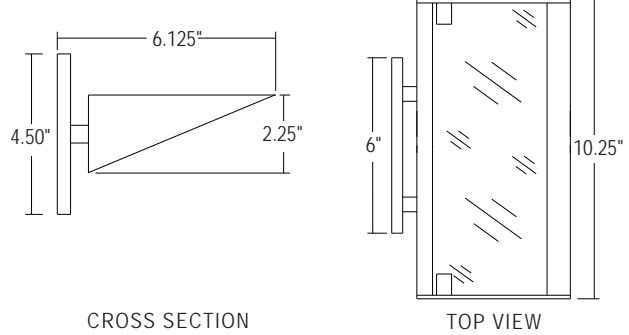
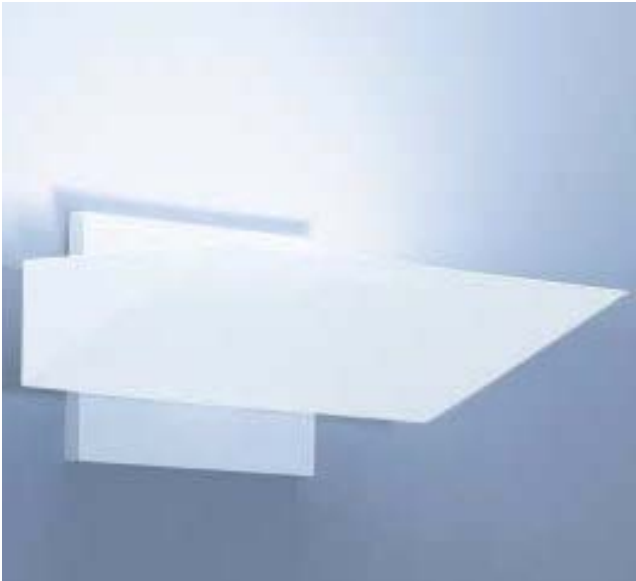


PROJECT

TYPE



- Formed Steel Housing
- Rectangular Backplate standard
- Specular Reflector
- 100 Watt or 150Watt BA15D base Halogen Lamping
(requires 2) (order separately or by others)
- Clear Tempered Protective Lens standard
- Rich Powder Coat Finish
- Recommended Mounting Box: 4" Octagonal
- UL and CUL Listed Damp Location



Modifications and custom configurations are available.
Please consult factory.

ALSO AVAILABLE IN CUSTOM COLORS

ORDERING FORMAT

SERIES

WS-7230-HAL
The Double
Wedge Lens™

FINISH

WHP
White Powder Coat

BLP
Black Powder Coat

TTP
Titanium Powder Coat

OBP
Oil Rubbed Bronze Powder Coat

CC
Custom Color

OPTIONAL ACCESSORIES

DIFFUSER

WS-SD-S4
Saw Tooth Diffuser

LENS

WS-L-S4-CL
Clear Tempered Protective Lens
(standard with fixture)

WS-L-S4-FR
Frosted Tempered Protective Lens

WS-L-S4-MP-CL
Clear Micro Prismatic Lens

WS-L-S4-MP-FR
Frosted Micro Prismatic Lens

WS-L-S4-DP-CL
Clear Diamond Pattern Lens

ADJUSTMENT

WS-SK
Swivel Knuckle *(requires 2)*
allows for 34° adjustment
(17° up or down)

Finish selection will match fixture unless otherwise specified.

HALOGEN LAMP

WS-Q-100-DC
Frosted 100W BA15D Base Lamp

WS-Q-150-DC
Frosted 150W BA15D Base Lamp

BACKPLATE

WS-RT
Rectangular Backplate
(standard with fixture)

Finish selection will match fixture unless otherwise specified.



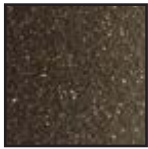
RICH, DURABLE POWDER COAT FINISHES



WHP
WHITE POWDER COAT



BLP
BLACK POWDER COAT



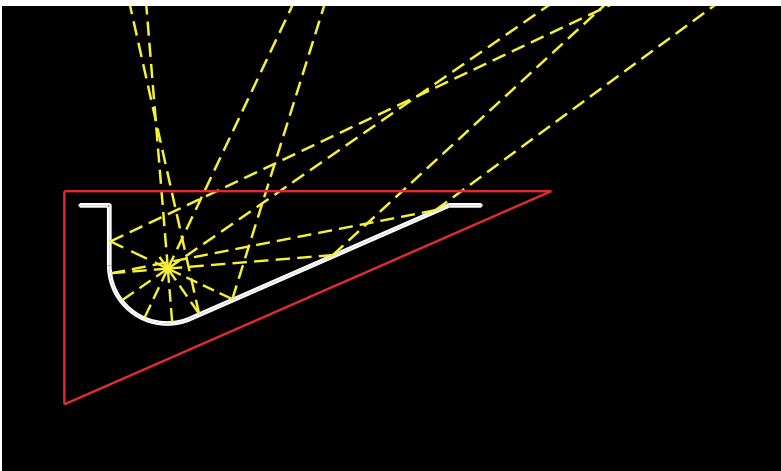
OBP
OIL RUBBED BRONZE POWDER COAT



TTP
TITANIUM POWDER COAT

ALSO AVAILABLE IN
RAW RAW CAST ALUMINUM
(NO FINISH)
CC CUSTOM COLORS

COMPUTER DESIGNED SPECULAR REFLECTORS (halogen fixtures only)



LED FIXTURES DESIGNED TO PERFORM AS OUR HALOGEN FIXTURES

SPECIFICATION GRADE CONSTRUCTION



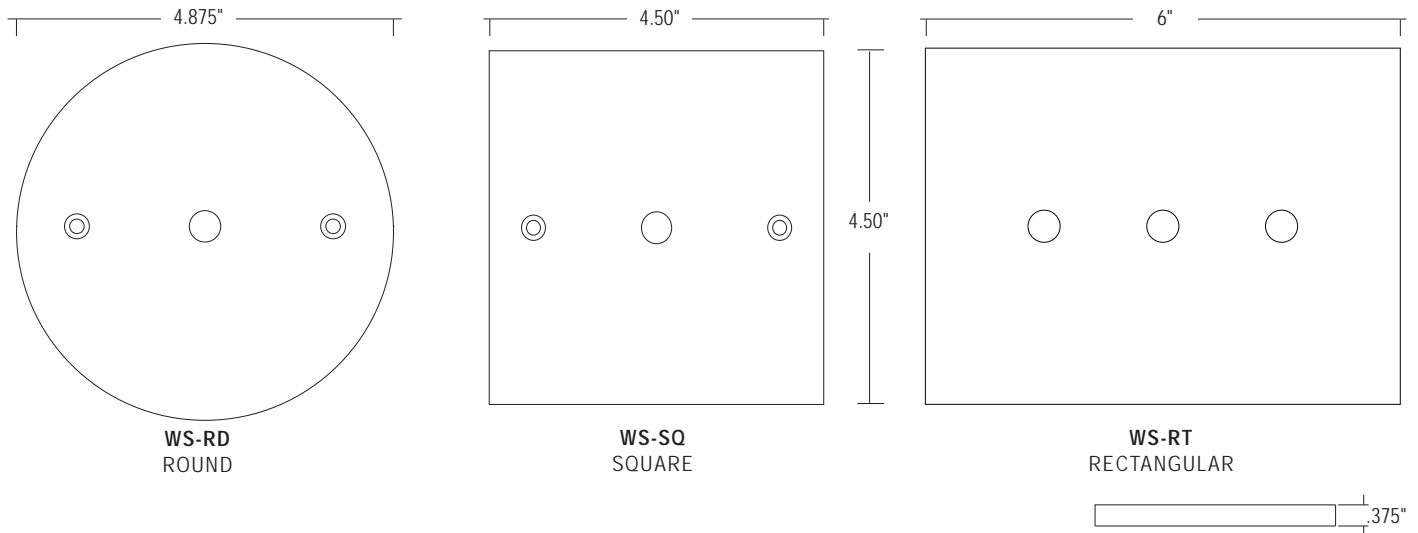
SPECIFICATION GRADE
CAST ALUMINUM



SPECIFICATION GRADE
FORMED STEEL

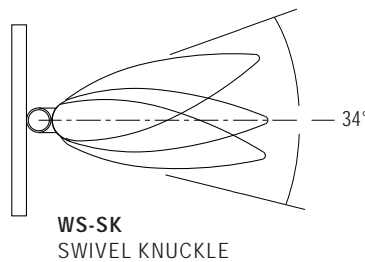
WALL SCONCE BACKPLATES

OUR WALL SCONCE FIXTURES COME STANDARD WITH ROUND, SQUARE OR RECTANGULAR BACKPLATES IN MATCHING POWDERCOAT FINISHES



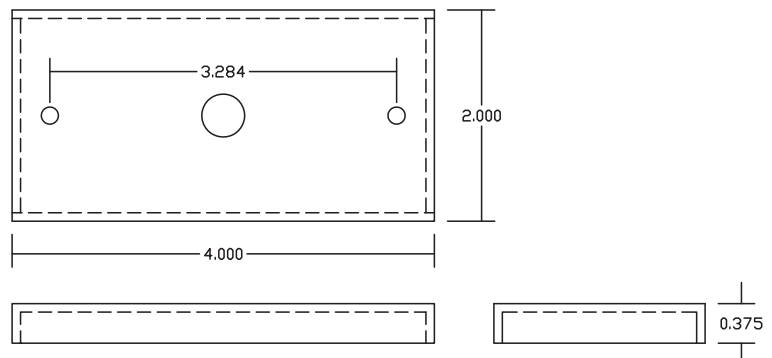
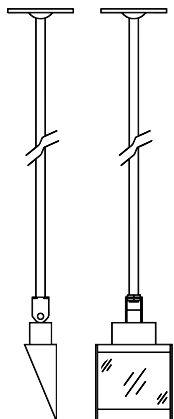
SWIVEL KNUCKLES

OUR OPTIONAL SWIVEL KNUCKLE ALLOWS FOR 34° ADJUSTMENT (17° UP OR DOWN) FOR OPTIMUM LIGHT DIRECTION



CUSTOMIZATION

CUSTOM ACCESSORIES ARE AVAILABLE INCLUDING STEMS, SHIELDING, SHROUDS AND BACKPLATES. PLEASE CONSULT THE FACTORY ON YOUR CUSTOM DESIGNED PROJECT.



	ADJUSTMENTS		BACKPLATES	
	SWIVEL KNUCKLE		STANDARD BACKPLATE	OPTIONAL BACKPLATE
WEDGE™				
WS-6215-HAL	WS-SK		WS-RD	WS-SQ
WS-6215-LED-Z10	WS-SK		WS-RD	WS-SQ
WS-6215-LED-Z10-DW	WS-SK		WS-RD	WS-SQ
WS-6215-LED-ELV-1	WS-SK		WS-RD	WS-SQ
WS-6215-LED-ELVT-1-DW	WS-SK		WS-RD	WS-SQ
VARIAL™				
WS-6230-HAL	INCL.		WS-RD	WS-SQ
WS-6230-LED-ELV-1	INCL.		WS-RD	WS-SQ
WEDGE LENS™				
WS-7215-HAL	WS-SK		WS-SQ	WS-RD
WS-7215-LED-ELV-1	WS-SK		WS-SQ	WS-RD
DOUBLE WEDGE LENS™				
WS-7230-HAL	WS-SK		WS-RT	N/A
WS-7230-LED-ELV-1	WS-SK <i>(requires 2)</i>		WS-RT	N/A
ADA WEDGE™				
WS-8815-HAL	N/A		WS-RD-LP	N/A

BACKPLATES AND SWIVEL KNUCKLES ARE AVAILABLE IN MATCHING POWDERCOAT FINISHES

	DIFFUSERS		LENSES				
	SAW TOOTH DIFFUSER		CLEAR TEMPERED	FROSTED TEMPERED	CLEAR MICRO PRISMATIC	FROSTED MICRO PRISMATIC	CLEAR DIAMOND PATTERN
WEDGE™							
WS-6215-HAL	WS-SD-S1	WS-L-S1-CL	WS-L-S1-FR	N/A	N/A	N/A	
WS-6215-LED-Z10	WS-SD-S2	N/A	N/A	WS-L-S2-MP-CL	WS-L-S2-MP-FR	N/A	
WS-6215-LED-Z10-DW	WS-SD-S2	N/A	N/A	WS-L-S2-MP-CL	WS-L-S2-MP-FR	N/A	
WS-6215-LED-ELV-1	WS-SD-S2	N/A	N/A	WS-L-S2-MP-CL	WS-L-S2-MP-FR	N/A	
WS-6215-LED-ELVT-1-DW	WS-SD-S2	N/A	N/A	WS-L-S2-MP-CL	WS-L-S2-MP-FR	N/A	
VARIAL™							
WS-6230-HAL	WS-SD-S1	WS-L-S1-CL	WS-L-S1-FR	N/A	N/A	N/A	
WS-6230-LED-ELV-1	WS-SD-S2	N/A	N/A	WS-L-S2-MP-CL	WS-L-S2-MP-FR	N/A	
WEDGE LENS™							
WS-7215-HAL	WS-SD-S3	WS-L-S3-CL	WS-L-S3-FR	WS-L-S3-MP-CL	WS-L-S3-MP-FR	WS-L-S3-DP-CL	
WS-7215-LED-ELV-1	WS-SD-S3	N/A	N/A	WS-L-S3-MP-CL	WS-L-S3-MP-FR	WS-L-S3-DP-CL	
DOUBLE WEDGE LENS™							
WS-7230-HAL	WS-SD-S4	WS-L-S4-CL	WS-L-S4-FR	WS-L-S4-MP-CL	WS-L-S4-MP-FR	WS-L-S4-DP-CL	
WS-7230-LED-ELV-1	WS-SD-S4	N/A	N/A	WS-L-S4-MP-CL	WS-L-S4-MP-FR	WS-L-S4-DP-CL	
ADA WEDGE™							
WS-8815-HAL	WS-SD-S1	WS-L-S1-CL	WS-L-S1-FR	N/A	N/A	N/A	