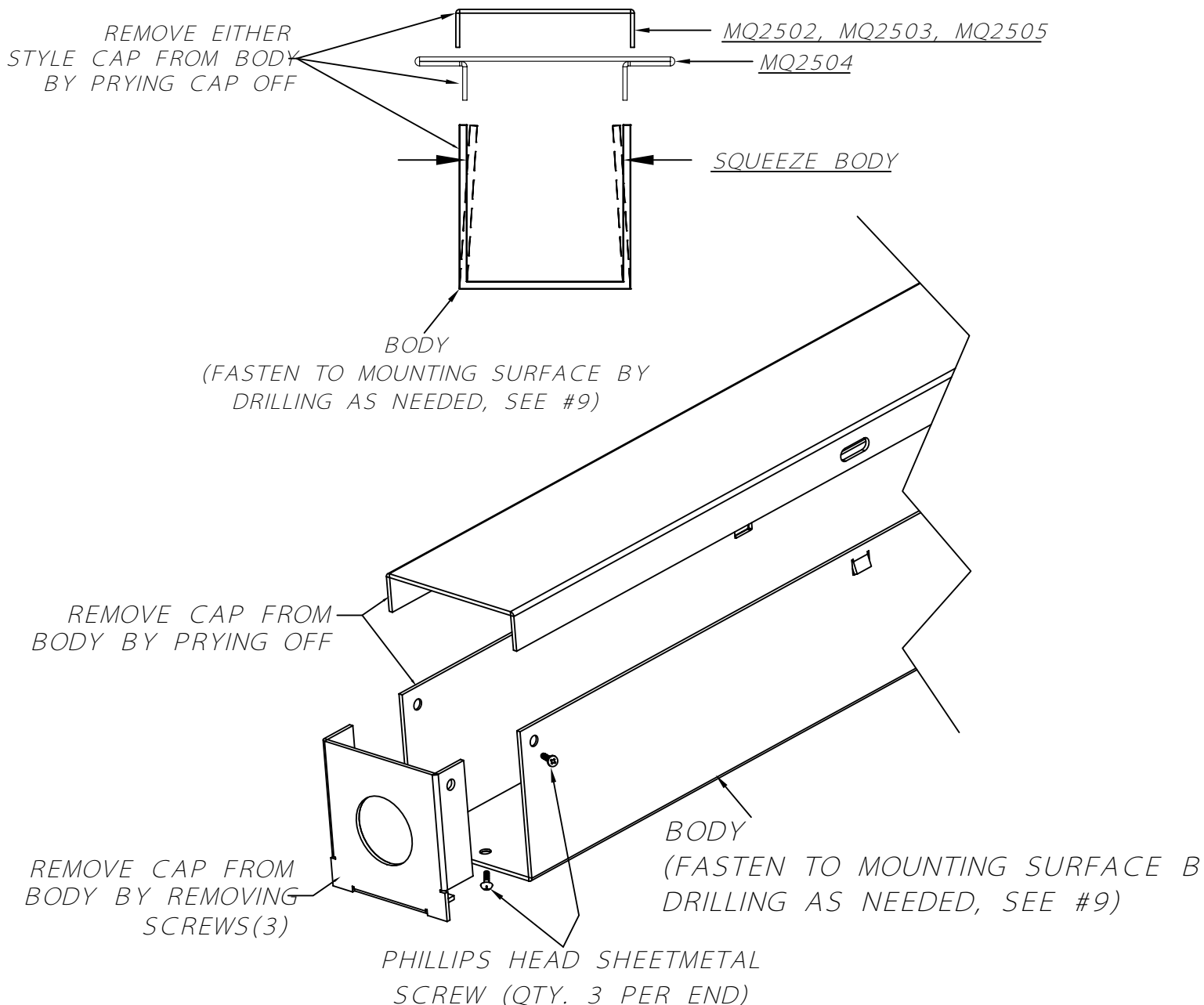


INSTALL INSTRUCTIONS FOR MQ2502, MQ2503, MQ2504, MQ2505
PLEASE READ ALL INSTRUCTIONS CAREFULLY



WIRING INSTRUCTIONS:

1. IMPORTANT: VERIFY ALL POWER HAS BEEN SHUT OFF.....
2. UNSCREW PHILIPS HEAD SHEET METAL SCREWS AND REMOVE END CAP.
3. KNOCK OUT APPROPRIATE K.O.
4. CONNECT FITTINGS TO END CAP.
5. WIRE IN ACCORDANCE WITH THE N.E.C. CODE AND ANY APPLICABLE LOCAL CODES.
6. REPLACE END CAP AND TIGHTEN WITH PHILIPS HEAD SHEET METAL SCREWS.
7. REMOVE OPPOSITE END CAP, INSULATE AND STORE EXTRA WIRES.
8. REPLACE END CAP AND TIGHTEN WITH PHILIPS HEAD SHEET METAL SCREWS.
9. FASTEN BODY TO MOUNTING SURFACE USING FASTENERS APPROPRIATE TO SITE CONDITIONS, BY DRILLING AS NEEDED.
10. ALIGN BODY AND CAP AND APPLY PRESSURE AND SNAP TOGETHER.

ALL DIMENSIONS ARE IN INCHES
 UNLESS OTHERWISE SPECIFIED

BELFER LIGHTING

NEW JERSEY, USA - 732-493-2666
 COPYRIGHT © BELFER LIGHTING
 NO RIGHTS ARE GRANTED FOR
 REPRODUCTION, DISCLOSURE, OR USE.

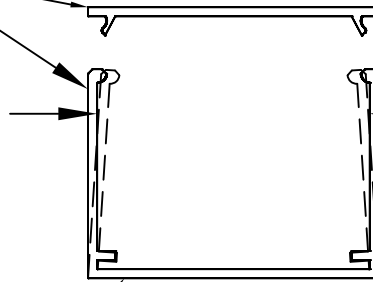
TITLE MQ2502, MQ2503, MQ2504, MQ2505
 INSTALLATION INSTRUCTIONS

DATE	9/18/17	SCALE	NTS	DRAWN	RPM	APPROVED
SHEET	1 OF 1	DWG. NO.	MQ2502/03/04/05		REV.	0

FRACTIONAL	±1/32
.XX	±0.01
.XXX	±0.005
ANGULAR	±1/2°

INSTALL INSTRUCTIONS FOR MQ2503
PLEASE READ ALL INSTRUCTIONS CAREFULLY

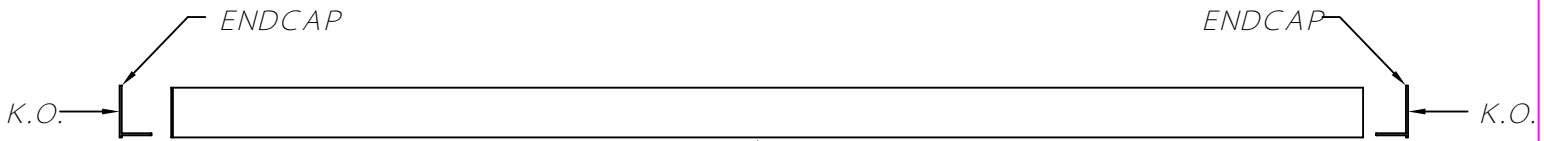
REMOVE CAP FROM BODY
 BY PRYING CAP OFF



SQUEEZE BODY

BODY

(FASTEN TO MOUNTING SURFACE BY
 DRILLING AS NEEDED, SEE #5)



BODY

(FASTEN TO MOUNTING SURFACE BY
 DRILLING AS NEEDED, SEE #5)

WIRING INSTRUCTIONS:

1. IMPORTANT: VERIFY ALL POWER HAS BEEN SHUT OFF.....
2. SEPARATE BODY FROM CAP BY PRYING OFF.
3. SLIDE OUT END CAPS AND KNOCK OUT APPROPRIATE K.O.
4. CONNECT FITTINGS TO END CAP.
5. FASTEN BODY TO MOUNTING SURFACE USING FASTENERS APPROPRIATE TO SITE CONDITIONS, BY DRILLING AS NEEDED.
6. WIRE IN ACCORDANCE WITH THE N.E.C. CODE AND ANY APPLICABLE LOCAL CODES.
7. SLIDE END CAPS INTO PLACE.
8. ALIGN BODY AND CAP AND APPLY PRESSURE AND SNAP TOGETHER.

ALL DIMENSIONS ARE IN INCHES
 UNLESS OTHERWISE SPECIFIED

BELFER LIGHTING

NEW JERSEY, USA - 732-493-2666
 COPYRIGHT © BELFER LIGHTING
 NO RIGHTS ARE GRANTED FOR
 REPRODUCTION, DISCLOSURE, OR USE.

TITLE MQ2503 INSTALLATION INSTRUCTIONS			
DATE 9/21/17	SCALE NTS	DRAWN RPM	APPROVED
SHEET 1 OF 1	DWG. NO. MQ2503	REV. 0	

FRACTIONAL	±1/32
.XX	±0.01
.XXX	±0.005
ANGULAR	±1/2°