

- Formed Aluminum Housing
- Rectangular Backplate
- Specular Reflector
- 2 Halogen DC Bayonet Frosted 100 Watt or 150 Watt Lamp
- Clear Tempered Protective Lens Standard
- Powder Coat Finish Options:
  - Black
  - White
  - Copper
  - Titanium
  - Oil Rubbed Bronze
  - Custom finishes are available
- Recommended Mounting Box: 4" Octagonal
- UL and CUL Listed Damp Location

#### ACCESSORIES

A complete line of optional accessories are available

- Saw Tooth Diffuser used to minimize filament striation
- Micro Prismatic Lens, Frosted Micro Prismatic Lens or Frosted Lens
- Swivel Knuckle Kit for 17° adjustment (up or down)

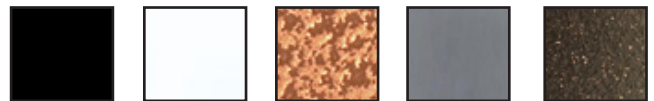
PROJECT

TYPE

CATALOG#



WS 7230-HAL WP



BLACK

WHITE

COPPER

TITANIUM

OIL RUBBED BRONZE

ALSO AVAILABLE IN  
CC CUSTOM COLOR

## Ordering Format *choose one from each category*

### SERIES

**WS 7230-HAL**  
The Halogen Wedge Lens™

### FINISH

- WP**  
White Powder Coat
- BP**  
Black Powder Coat
- CP**  
Copper Powder Coat
- TP**  
Titanium Powder Coat
- OB**  
Oil Rubbed Bronze
- CC**  
Custom Color

### OPTIONAL ACCESSORIES

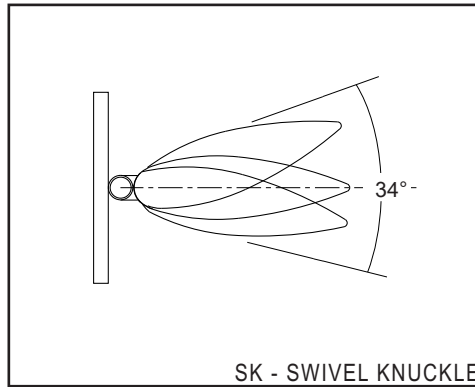
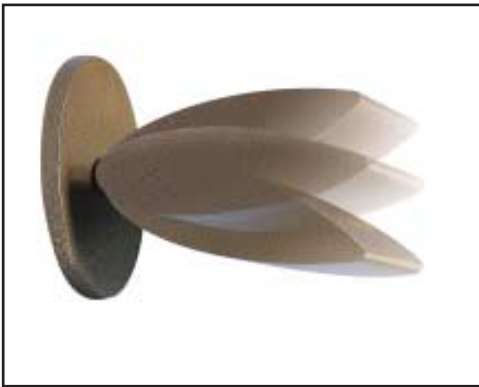
#### SHIELDING

- SDH3**  
Saw Tooth Diffuser
- MPH3**  
Micro Prismatic Lens
- MPH3FR**  
Micro Prismatic Lens  
Frosted
- CLH3FR**  
Clear Lens Frosted  
*(Clear Tempered Protective  
Lens Standard)*

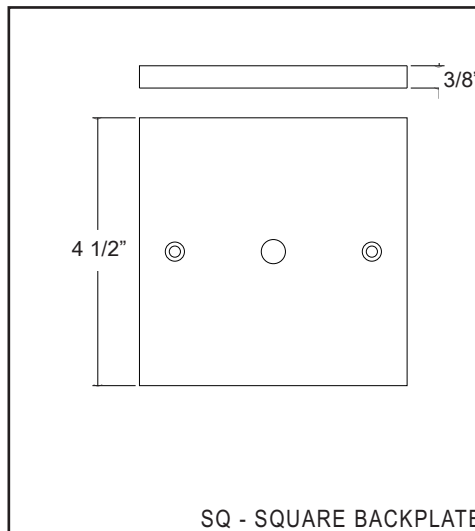
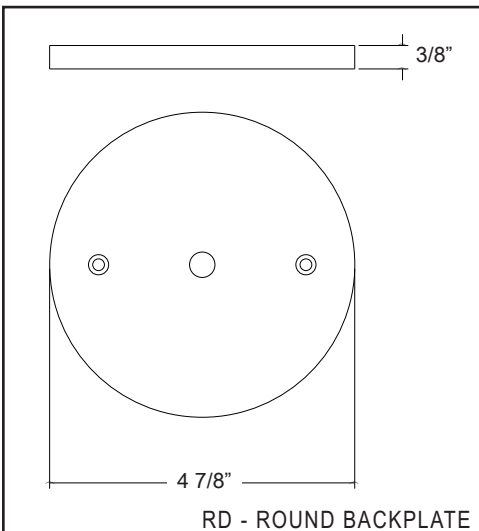
#### ADJUSTMENT

- SK**  
Swivel Knuckle  
*allows for 17° adjustment  
(up or down)*

OUR OPTIONAL SWIVEL KNUCKLE ALLOWS FOR 17° ADJUSTMENT (UP OR DOWN) FOR OPTIMUM LIGHT DIRECTION



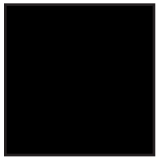
4 7/8" ROUND BACKPLATES CAN BE REPLACED WITH 4 1/2" SQUARE BACKPLATES IN MATCHING POWDERCOAT FINISHES



FIXTURE ACCESSORIES ARE AVAILABLE, INCLUDING SAW TOOTH DIFFUSERS AND FROSTED LENSES TO MINIMIZE FILAMENT STRIATION

WALL SCONCE	SAW TOOTH DIFFUSER	MICRO PRISMATIC LENS	MICRO PRISMATIC FROSTED LENS	CLEAR LENS	CLEAR LENS FROSTED	SWIVEL KNUCKLE	STANDARD BACKPLATE	OPTIONAL BACKPLATE
WS 6215-HAL	SDH6	MPH6	MPH6FR	INCL.	CLH6FR	SK	RD	SQ
WS 6215-LED	SDL6	INCL.	MPL6FR	N/A.	N/A	SK	RD	SQ
WS 6215-LED-120V	SDL6	INCL.	MPL6FR	N/A.	N/A	SK	RD	SQ
WS 6230-HAL	SDH6	MPH6	MPH6FR	INCL.	CLH6FR	INCL.	RD	SQ
WS 7215-HAL	SDH5	MPH5	MPH5FR	INCL.	CLH5FR	SK	SQ	N/A
WS 7215-LED-120V	SDL5	INCL.	MPL5FR	N/A.	N/A	SK	SQ	N/A
WS 7215-LED-220V	SDL5	INCL.	MPL5FR	N/A.	N/A	SK	SQ	N/A
WS 7230-HAL	SDH3	MPH3	MPH3FR	INCL.	CLH3FR	SK	RECT	N/A
WS 7230-LED-120V	SDL3	INCL.	MPL3FR	N/A	N/A	SK	RECT	N/A
WS 8815-HAL	SDH6	MPH6	MPH6FR	INCL.	CLH6FR	N/A	RD	N/A

### RICH, DURABLE POWDER COAT FINISHES



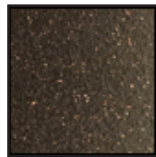
**BP** BLACK POWDER COAT



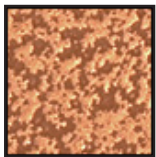
**TP** TITANIUM POWDER COAT



**WP** WHITE POWDER COAT



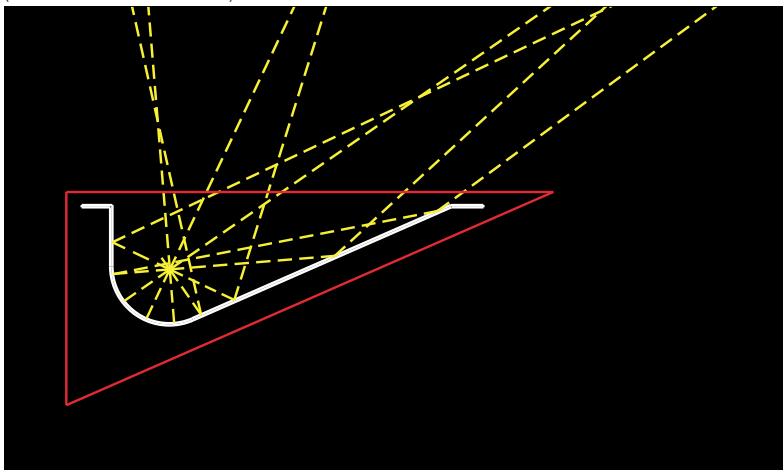
**OB** OIL RUBBED BRONZE P  
POWDER COAT



**CP** COPPER POWDER COAT

ALSO AVAILABLE IN  
**RAW** RAW CAST ALUMINUM  
**CC** CUSTOM COLOR

### COMPUTER DESIGNED SPECULAR REFLECTORS (HALOGEN FIXTURES ONLY)



### SPECIFICATION GRADE CAST ALUMINUM CONSTRUCTION



### SPECIFICATION GRADE FORMED ALUMINUM CONSTRUCTION

