

Belfer Architectural Incandescent Lighting Systems are designed for installation within architectural features such as soffits, ceiling coves and valences. Offered in seamless straight and field curvable versions, these fixtures are perfect for concealed or exposed installations where high levels of direct illumination is required.

Visit our Web Site for access to most current specifications, product information and representative listings.

www.belfer.com

Architectural Incandescent
Table of Contents

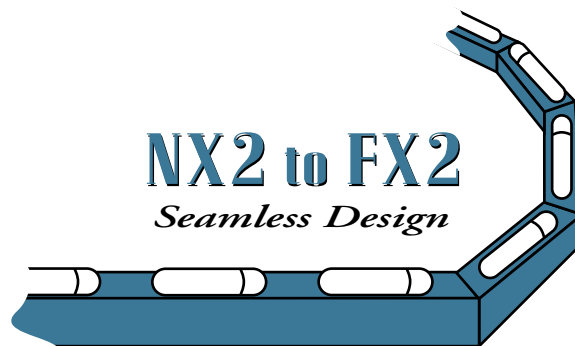
| Architectural Incandescent | | 1999 Specifier's Guide Pages 111 - 128 |
|---|---|---|
| 2240 & 2242 NX2(S)/FX2(S) | Field Curvable/Seamless Straight T6½ | Specifier's Guide page 112 |
| 2250 & 2252 NX2(S)/FX2(S) | Field Curvable/Seamless Straight Wall Wash | Specifier's Guide page 116 |
| 2260 & 2262 NX2 | Seamless Straight Double ended T10 | Specifier's Guide page 120 |
| 2270 & 2272 NX2(S)/FX2(S) | Field Curvable/Seamless Straight T10 | Specifier's Guide page 122 |
| 2830 RX | Incandescent Wall Wash | Specifier's Guide page 126 |
| Architectural Incandescent Modifications | | Specifier's Guide page 128 |

Architectural Incandescent NX2 / FX2 Seamless Design System

Each Belfer Incandescent Cove Product is available in our patented NX2/FX2 modular, Seamless Straight to Field Curvable System. Each come in standard lengths and add on modules. A very simple, easy to use system designed to make specification simple and installation problem free ... whether it's straight or curved, our modular system will take care of your needs.

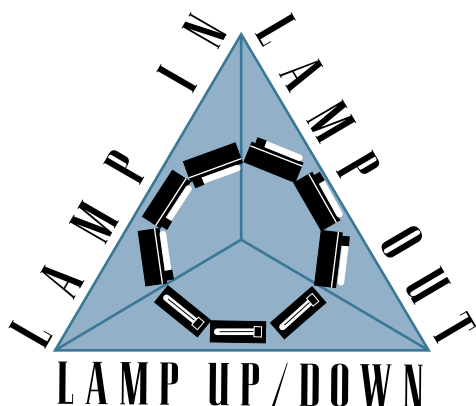
NX2/FX2 Seamless Design System

The NX2/FX2 Seamless Design System is a fully linkable, formed aluminum system that allows complete integration of straight and field curvable lengths in virtually any configuration. NX2 is the suffix for Belfer's straight, non-curving architectural incandescent sections. FX2 is the suffix for field curvable sections. Together, they can be joined to form a single, seamless, continuous system.



The NX2/FX2 System offers many distinct installation and maintenance advantages:

- The NX2/FX2 system is through wired. Just connect wires and screw joints together ... No "pulling" of wire or cable required.
- The NX2/FX2 system has external mounting clips ... No need to open units to secure the fixture to the mounting surface.
- The NX2/FX2 system reduces freight costs ... Its field curvable design ships straight in standard lengths for most common carriers.



Lamp Position

Each Belfer System is available with lamps mounted inside/outside of the curve or up/down depending on the application's minimum cove parameters and dimension specifications. Choose NX2 or FX2 for lamps positioned up or down. Choose NX2S or FX2S for lamps positioned on the inside or outside of the fixture.

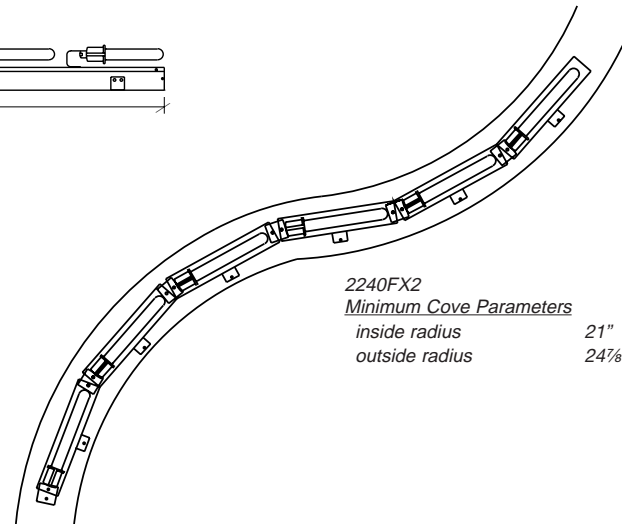
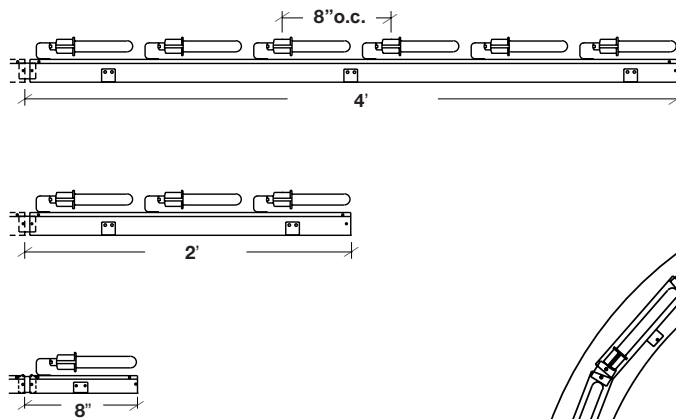
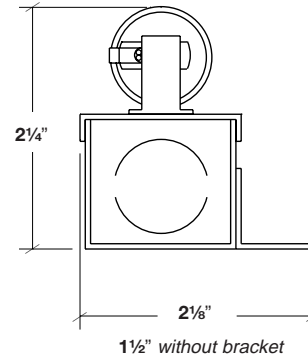
phone: (732) 493-2666
fax: (732) 493-2941
canada: (800) 726-5759

BELFER

2240 NX2 & FX2

T6 1/2 Incandescent Seamless Straight and Field Curvable System

- Linkable seamless straight and field curvable lengths
- Constructed of formed satin anodized aluminum
- T 6 1/2 Lamp to 40 Watt
- 8" on center lamp spacing
- Intermediate base socket
- 2240 FX2 is field adjustable to the nearest lamp increment
- One lamp module (2242) available to finish runs
- Lengths through wired for easy installation
- Exterior mounting clips for quick, easy anchoring
- UL and CUL Listed Damp Location



These products protected by one or more of the following U.S. Patent Numbers 5,448,460, 5,221,139 & 5,452,187. Other patents pending.

| Ordering Format for 2240 NX2 & FX2 T6 1/2 Light Strip | | | |
|---|---|---|---|
| <i>choose one from each category</i> | | | |
| Series | Lamp Configuration | On Center Spacing | Length |
| 2240 <i>linear fixture</i> | NX2 <i>seamless straight lamps up or down</i> | 8 <i>8" on center</i> | 4 <i>4 ft. length (6 lamps)</i> |
| 2242 <i>8" module</i> | FX2 <i>field curvable lamps up or down</i> | | 2 <i>2 ft. length (3 lamps)</i> |
| | | <i>leave blank for 8" module (1 lamp)</i> | |

Modifications and custom configurations are available. Please refer to page 128 or contact our Sales Department.

2240 NX2 & FX2

T6 ½ Incandescent Seamless Straight and Field Curvable System

| Product Code | U/M | Description |
|------------------------------------|-----|---|
| NX2 Seamless Straight | | |
| <input type="checkbox"/> 2240NX284 | ea | 4 Ft. 8" o.c. T 6½ Strip, 120V, 6 Light, Lamp Up/Down |
| <input type="checkbox"/> 2240NX282 | ea | 2 Ft. 8" o.c. T 6½ Strip, 120V, 3 Light, Lamp Up/Down |
| <input type="checkbox"/> 2242NX2 | ea | 8" Module T 6½, 120V, 1 Light, Lamp Up/Down |
| FX2 Field Curvable | | |
| <input type="checkbox"/> 2240FX284 | ea | 4 Ft. 8" o.c. T 6½ Strip, 120V, 6 Light, Lamp Up/Down |
| <input type="checkbox"/> 2240FX282 | ea | 2 Ft. 8" o.c. T 6½ Strip, 120V, 3 Light, Lamp Up/Down |
| <input type="checkbox"/> 2242FX2 | ea | 8" Module T 6½, 120V, 1 Light, Lamp Up/Down |

T6 ½ Incandescent Lamp Specifications

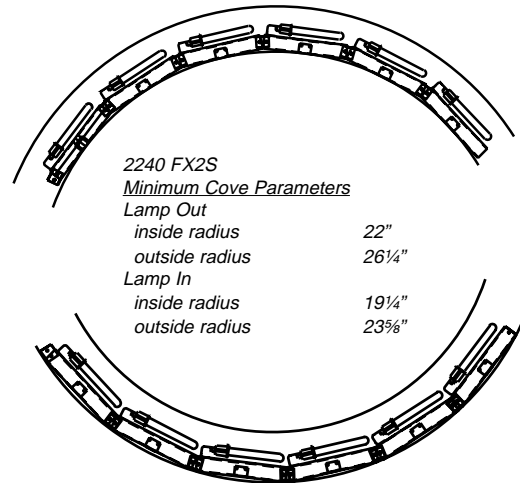
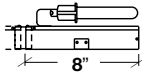
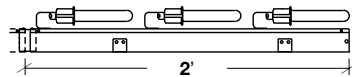
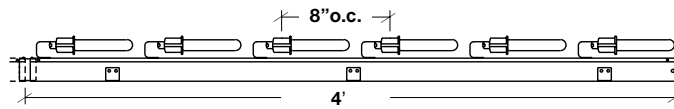
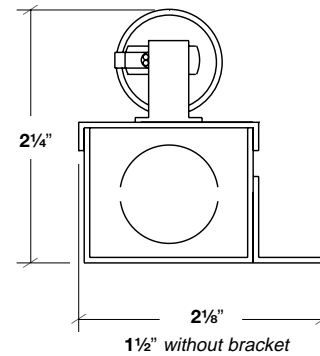
| Lamp | Description | Wattage | Lumens | Life / Hours |
|-----------------------------------|----------------------------------|---------|--------|--------------|
| <input type="checkbox"/> 20T6.51F | Frosted, Intermediate Base, 120V | 20 | 90 | 7,000 |
| <input type="checkbox"/> 25T6.51F | Frosted, Intermediate Base, 120V | 25 | 240 | 1,000 |
| <input type="checkbox"/> 40T6.51F | Frosted, Intermediate Base, 120V | 40 | 420 | 750 |

phone: (732) 493-2666
 fax: (732) 493-2941
 canada: (800) 726-5759

2240 NX2S & FX2S

T6 1/2 Incandescent Seamless Straight and Field Curvable System

- Linkable seamless straight and field curvable lengths
- Constructed of formed satin anodized aluminum
- T 6 1/2 Lamp to 40 Watt
- 8" on center lamp spacing
- Intermediate base socket
- 2240 FX2S is field adjustable to the nearest lamp increment
- One lamp module (2242) available to finish runs
- Lengths through wired for easy installation
- Exterior mounting clips for quick, easy anchoring
- UL and CUL Listed Damp Location



These products protected by one or more of the following U.S. Patent Numbers 5,448,460, 5,221,139 & 5,452,187. Other patents pending.

Ordering Format for 2240 NX2S & FX2S T6 1/2 Light Strip

choose one from each category

| Series | Lamp Configuration | On Center Spacing | Length |
|-------------------------------|---|--------------------------|---------------------------------------|
| 2240 linear fixture | NX2S seamless straight lamps in or out | 8 8" on center | 4 4 ft. length (6 lamps) |
| 2242 8" module | FX2S field curvable lamps in or out | | 2 2 ft. length (3 lamps) |
| | | | leave blank for 8" module (1 lamp) |

Modifications and custom configurations are available. Please refer to page 128 or contact our Sales Department.

2240 NX2S & FX2S
T6 ½ Incandescent Seamless Straight and Field Curvable System

| Product Code | U/M | Description |
|--------------------------------------|-----|--|
| <i>NX2S Seamless Straight</i> | | |
| <input type="checkbox"/> 2240NX2S84 | ea | 4 Ft. 8" o.c. T 6½ Strip, 120V, 6 Light, Lamp In/Out |
| <input type="checkbox"/> 2240NX2S82 | ea | 2 Ft. 8" o.c. T 6½ Strip, 120V, 3 Light, Lamp In/Out |
| <input type="checkbox"/> 2242NX2S | ea | 8" Module T 6½, 120V, 1 Light, Lamp In/Out |
| <i>FX2S Field Curvable</i> | | |
| <input type="checkbox"/> 2240FX2S84 | ea | 4 Ft. 8" o.c. T 6½ Strip, 120V, 6 Light, Lamp In/Out |
| <input type="checkbox"/> 2240FX2S82 | ea | 2 Ft. 8" o.c. T 6½ Strip, 120V, 3 Light, Lamp In/Out |
| <input type="checkbox"/> 2242FX2S | ea | 8" Module T 6½, 120V, 1 Light, Lamp In/Out |

T6 ½ Incandescent Lamp Specifications

| Lamp | Description | Wattage | Lumens | Life / Hours |
|-----------------------------------|----------------------------------|---------|--------|--------------|
| <input type="checkbox"/> 20T6.51F | Frosted, Intermediate Base, 120V | 20 | 90 | 7,000 |
| <input type="checkbox"/> 25T6.51F | Frosted, Intermediate Base, 120V | 25 | 240 | 1,000 |
| <input type="checkbox"/> 40T6.51F | Frosted, Intermediate Base, 120V | 40 | 420 | 750 |

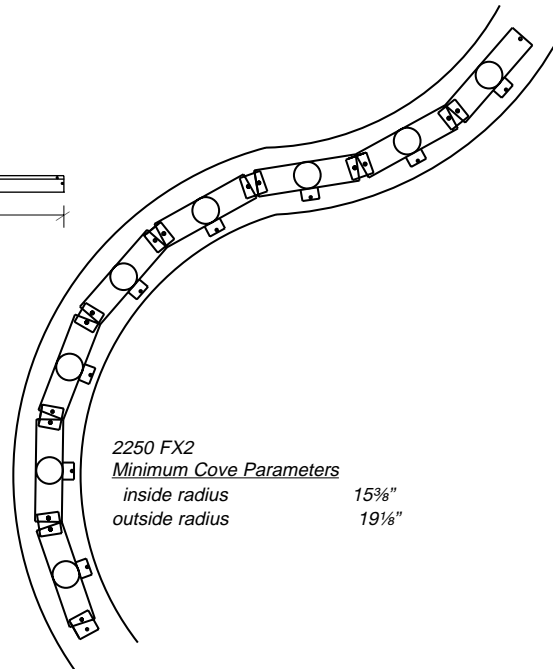
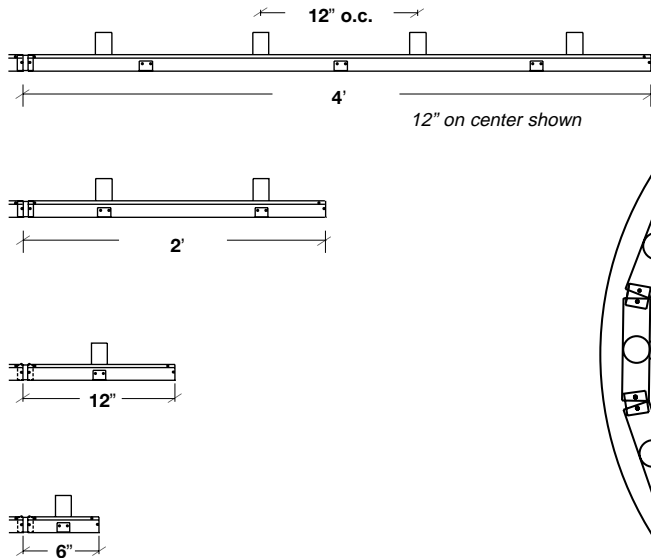
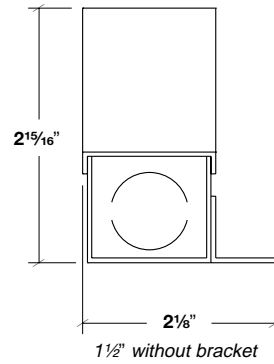
phone: (732) 493-2666
fax: (732) 493-2941
canada: (800) 726-5759



2250 NX2 & FX2

Downlight/Wall Wash Seamless Straight and Field Curvable System

- Linkable seamless straight and field curvable lengths
- Constructed of formed satin anodized aluminum
- A19 Lamp to 100W; R/PAR Lamp to 150W
- Lamp Spacing Options:
 - 6" on center
 - 12" on center
- Medium base porcelain sockets
- 2250 FX2 is field adjustable to the nearest lamp increment
- One lamp module (2252) available to finish runs
- Lengths through wired for easy installation
- Exterior mounting clips for quick, easy anchoring
- Optional baffles available
- UL and CUL Listed Damp Location



These products protected by one or more of the following U.S. Patent Numbers 5,448,460, 5,221,139 & 5,452,187. Other patents pending.

| Ordering Format for 2250 NX2 & FX2 Downlight/Wall Wash | | | |
|--|---|-----------------------------------|--|
| <i>choose one from each category</i> | | | |
| Series | Lamp Configuration | On Center Spacing | Length |
| 2250 <i>linear fixture</i> | NX2 <i>seamless straight lamps up or down</i> | 6 <i>6" on center</i> | 4 <i>4 ft. length (4 or 8 lamps)</i> |
| 2252 <i>6" or 12" module</i> | FX2 <i>field curvable lamps up or down</i> | 12 <i>12" on center</i> | 2 <i>2 ft. length (2 or 4 lamps)</i> <i>leave blank for 6" or 12" module (1 lamp)</i> |

Modifications and custom configurations are available. Please refer to page 128 or contact our Sales Department.

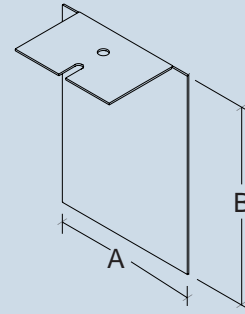
2250 NX2 & FX2

Downlight/Wall Wash Seamless Straight and Field Curvable System

Architectural Incandescent

| Product Code | U/M | Description |
|---|-----|---|
| NX2 Seamless Straight - 6" o.c. | | |
| <input type="checkbox"/> 2250NX264 | ea | 4 Ft. 6" o.c. Medium 120V, 8 Light, Lamp Up/Down |
| <input type="checkbox"/> 2250NX262 | ea | 2 Ft. 6" o.c. Medium 120V, 4 Light, Lamp Up/Down |
| <input type="checkbox"/> 2252NX26 | ea | 6" Module Medium 120V, 1 Light, Lamp Up/Down |
| FX2 Field Curvable - 6" o.c. | | |
| <input type="checkbox"/> 2250FX264 | ea | 4 Ft. 6" o.c. Medium 120V, 8 Light, Lamp Up/Down |
| <input type="checkbox"/> 2250FX262 | ea | 2 Ft. 6" o.c. Medium 120V, 4 Light, Lamp Up/Down |
| <input type="checkbox"/> 2252FX26 | ea | 6" Module Medium 120V, 1 Light, Lamp Up/Down |
| NX2 Seamless Straight - 12" o.c. | | |
| <input type="checkbox"/> 2250NX2124 | ea | 4 Ft. 12" o.c. Medium 120V, 4 Light, Lamp Up/Down |
| <input type="checkbox"/> 2250NX2122 | ea | 2 Ft. 12" o.c. Medium 120V, 2 Light, Lamp Up/Down |
| <input type="checkbox"/> 2252NX212 | ea | 12" Module Medium 120V, 1 Light, Lamp Up/Down |
| FX2 Field Curvable - 12" o.c. | | |
| <input type="checkbox"/> 2250FX2124 | ea | 4 Ft. 12" o.c. Medium 120V, 4 Light, Lamp Up/Down |
| <input type="checkbox"/> 2250FX2122 | ea | 2 Ft. 12" o.c. Medium 120V, 2 Light, Lamp Up/Down |
| <input type="checkbox"/> 2252FX212 | ea | 12" Module Medium 120V, 1 Light, Lamp Up/Down |

| Product Code | U/M | Description |
|---|-----|-----------------------|
| Baffles | | |
| (A X B) | | |
| <input type="checkbox"/> P-1292-01-70 | ea | 4" X 6" Baffle, Black |
| <input type="checkbox"/> P-1293-01-70 | ea | 5" X 7" Baffle, Black |
| NOTE: Custom baffles can be fabricated to your specifications. Please consult factory. | | |



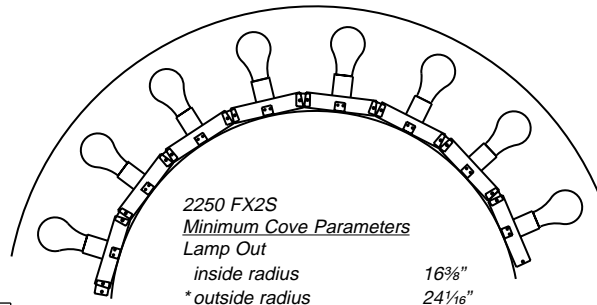
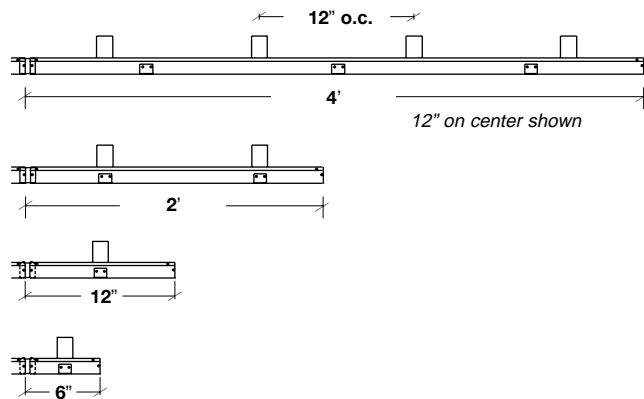
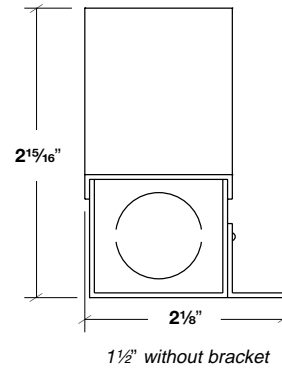
phone: (732) 493-2666
 fax: (732) 493-2941
 canada: (800) 726-5759

BELFER

2250 NX2S & FX2S

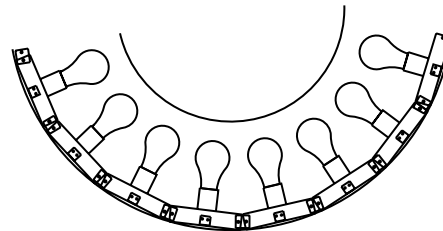
Downlight/Wall Wash Seamless Straight and Field Curvable System

- Linkable seamless straight and field curvable lengths
- Constructed of formed satin anodized aluminum
- A19 Lamp to 100W; R/PAR Lamp to 150W
- Lamp Spacing Options:
 - 6" on center
 - 12" on center
- Medium base porcelain sockets
- 2250 FX2S is field adjustable to the nearest lamp increment
- One lamp module (2252) available to finish runs
- Lengths through wired for easy installation
- Exterior mounting clips for quick, easy anchoring
- Optional baffles available
- UL and CUL Listed Damp Location



2250 FX2S
Minimum Cove Parameters

| | |
|--|-----------|
| Lamp Out | |
| inside radius | 16 3/8" |
| * outside radius | 24 1/16" |
| Lamp In | |
| * inside radius | 10" |
| outside radius | 17 13/16" |
| * dimension varies according to lamp choice. A19 lamp shown. | |



These products protected by one or more of the following U.S. Patent Numbers 5,448,460, 5,221,139 & 5,452,187. Other patents pending.

| Ordering Format for 2250 NX2S & FX2S Downlight/Wall Wash | | | |
|--|---|-----------------------------------|--|
| <i>choose one from each category</i> | | | |
| Series | Lamp Configuration | On Center Spacing | Length |
| 2250 <i>linear fixture</i> | NX2S <i>seamless straight lamps in or out</i> | 6 <i>6" on center</i> | 4 <i>4 ft. length (4 or 8 lamps)</i> |
| 2252 <i>6" or 12" module</i> | FX2S <i>field curvable lamps in or out</i> | 12 <i>12" on center</i> | 2 <i>2 ft. length (2 or 4 lamps)</i> <i>leave blank for 6" or 12" module (1 lamp)</i> |

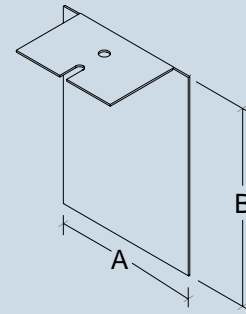
Modifications and custom configurations are available. Please refer to page 128 or contact our Sales Department.

2250 NX2S & FX2S
Downlight/Wall Wash Seamless Straight and Field Curvable System

Architectural Incandescent

| Product Code | U/M | Description |
|--|-----|--|
| NX2S Seamless Straight - 6" o.c. | | |
| <input type="checkbox"/> 2250NX2S64 | ea | 4 Ft. 6" o.c. Medium 120V, 8 Light, Lamp In/Out |
| <input type="checkbox"/> 2250NX2S62 | ea | 2 Ft. 6" o.c. Medium 120V, 4 Light, Lamp In/Out |
| <input type="checkbox"/> 2252NX2S6 | ea | 6" Module Medium 120V, 1 Light, Lamp In/Out |
| FX2S Field Curvable - 6" o.c. | | |
| <input type="checkbox"/> 2250FX2S64 | ea | 4 Ft. 6" o.c. Medium 120V, 8 Light, Lamp In/Out |
| <input type="checkbox"/> 2250FX2S62 | ea | 2 Ft. 6" o.c. Medium 120V, 4 Light, Lamp In/Out |
| <input type="checkbox"/> 2252FX2S6 | ea | 6" Module Medium 120V, 1 Light, Lamp In/Out |
| NX2S Seamless Straight - 12" o.c. | | |
| <input type="checkbox"/> 2250NX2S124 | ea | 4 Ft. 12" o.c. Medium 120V, 4 Light, Lamp In/Out |
| <input type="checkbox"/> 2250NX2S122 | ea | 2 Ft. 12" o.c. Medium 120V, 2 Light, Lamp In/Out |
| <input type="checkbox"/> 2252NX2S12 | ea | 12" Module Medium 120V, 1 Light, Lamp In/Out |
| FX2S Field Curvable - 12" o.c. | | |
| <input type="checkbox"/> 2250FX2S124 | ea | 4 Ft. 12" o.c. Medium 120V, 4 Light, Lamp In/Out |
| <input type="checkbox"/> 2250FX2S122 | ea | 2 Ft. 12" o.c. Medium 120V, 2 Light, Lamp In/Out |
| <input type="checkbox"/> 2252FX2S12 | ea | 12" Module Medium 120V, 1 Light, Lamp In/Out |

| Product Code | U/M | Description |
|---|-----|-------------------------------|
| Baffles | | |
| (A X B) | | |
| <input type="checkbox"/> P-1292-01-70 | ea | 4" X 6" Baffle , Black |
| <input type="checkbox"/> P-1293-01-70 | ea | 5" X 7" Baffle , Black |
| NOTE: Custom baffles can be fabricated to your specifications. Please consult factory. | | |

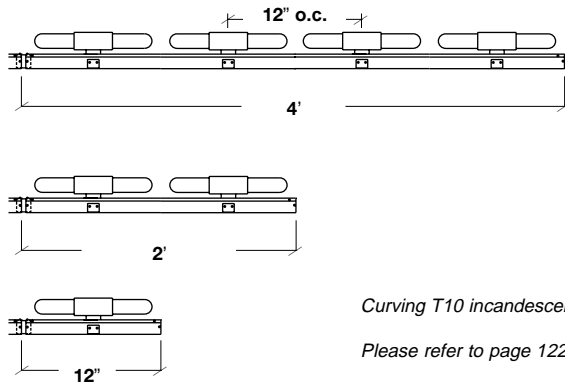
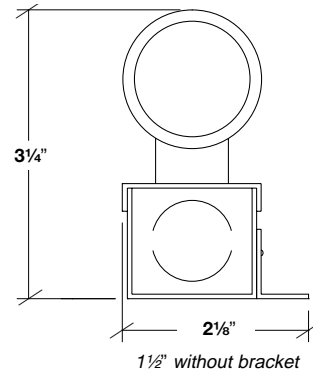


phone: (732) 493-2666
 fax: (732) 493-2941
 canada: (800) 726-5759



2260 NX2 Double Ended T10 Seamless Straight System

- Linkable seamless straight lengths
- Constructed of formed satin anodized aluminum
- T10 Lamp to 60 Watt
- 12" on center nominal lamp spacing
- Double ended medium base porcelain socket
- 2260 FX2 is field adjustable to the nearest lamp increment
- One lamp module (2262) available to finish runs
- Lengths through wired for easy installation
- Exterior mounting clips for quick, easy anchoring
- UL and CUL Listed Damp Location



Curving T10 incandescent lamps is more efficiently achieved with our 2270 product.

Please refer to page 122 for product information.

These products protected by one or more of the following U.S. Patent Numbers 5,448,460, 5,221,139 & 5,452,187. Other patents pending.

| Ordering Format for 2260 NX2 Double Ended T10 | | | |
|---|---|-----------------------------------|--|
| <i>choose one from each category</i> | | | |
| Series | Lamp Configuration | On Center Spacing | Length |
| 2260 <i>linear fixture</i> | NX2 <i>seamless straight lamps up or down</i> | 12 <i>12" on center</i> | 4 <i>4 ft. length (4 lamps)</i> |
| 2262 <i>12" module</i> | | | 2 <i>2 ft. length (2 lamps)</i> |
| | | | <i>leave blank for 12" module (1 lamp)</i> |

Modifications and custom configurations are available. Please refer to page 128 or contact our Sales Department.

2260 NX2
Double Ended T10 Seamless Straight System

| Product Code | U/M | Description |
|-------------------------------------|-----|---|
| NX2 Seamless Straight | | |
| <input type="checkbox"/> 2260NX2124 | ea | 4 Ft. 12" o.c. Double ended, 120V, 8 Light, Lamps Up/Down |
| <input type="checkbox"/> 2260NX2122 | ea | 2 Ft. 12" o.c. Double ended, 120V, 4 Light, Lamps Up/Down |
| <input type="checkbox"/> 2262NX2 | ea | 12" Module, Double ended, 120V, 2 Light, Lamps Up/Down |

Architectural Incandescent

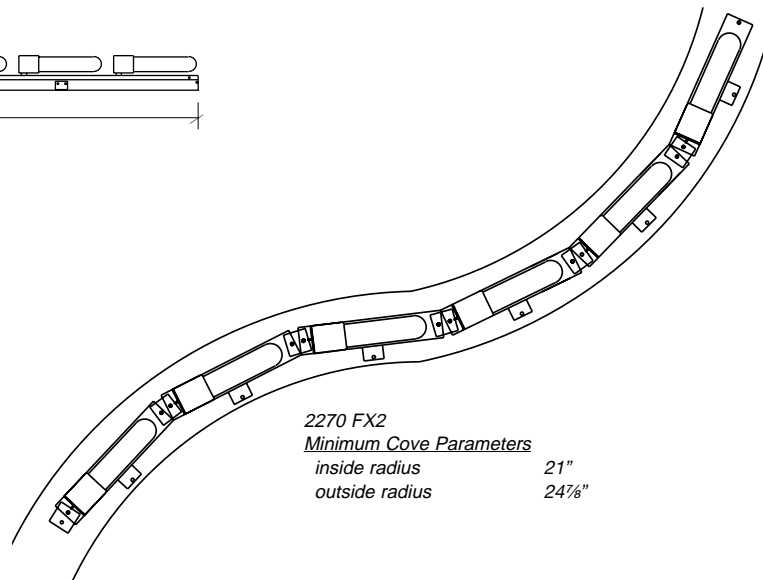
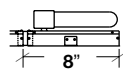
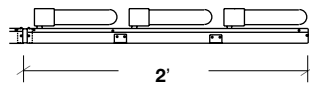
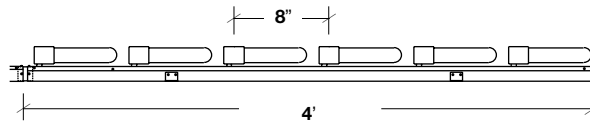
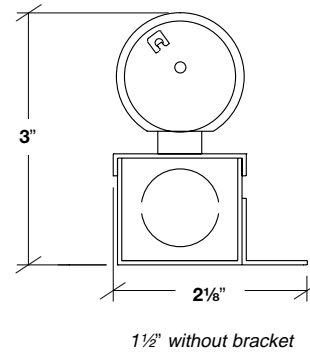
phone: (732) 493-2666
fax: (732) 493-2941
canada: (800) 726-5759

 BELFER

2270 NX2 & FX2

T10 Incandescent Seamless Straight and Field Curvable System

- Linkable seamless straight and field curvable lengths
- Constructed of formed satin anodized aluminum
- T10 Lamp to 60 Watt
- 8" on center lamp spacing
- Medium base porcelain sockets
- 2270 FX2 is field adjustable to the nearest lamp increment
- One lamp module (2272) available to finish runs
- Lengths through wired for easy installation
- Exterior mounting clips for quick, easy anchoring
- UL and CUL Listed Damp Location



2270 FX2
 Minimum Cove Parameters
 inside radius 21"
 outside radius 24 7/8"

These products protected by one or more of the following U.S. Patent Numbers 5,448,460, 5,221,139 & 5,452,187. Other patents pending.

| Ordering Format for 2270 NX2 & FX2 T10 Light Strip | | | |
|--|---|---|------------------------------------|
| <i>choose one from each category</i> | | | |
| Series | Lamp Configuration | On Center Spacing | Length |
| 2270 <i>linear fixture</i> | NX2 <i>seamless straight lamp up or down</i> | 8 <i>8" on center</i> | 4 <i>4 ft. length (6 lamps)</i> |
| 2272 <i>8" module</i> | FX2 <i>field curvable lamp up or down</i> | | 2 <i>2 ft. length (3 lamps)</i> |
| | | <i>leave blank for 8" module (1 lamp)</i> | |

Modifications and custom configurations are available. Please refer to page 128 or contact our Sales Department.

2270 NX2 & FX2
T10 Incandescent Seamless Straight and Field Curvable System

| Product Code | U/M | Description |
|-------------------------------------|-----|--|
| <i>NX2 Seamless Straight</i> | | |
| <input type="checkbox"/> 2270NX284 | ea | 4 Ft. 8" o.c. Medium 120V, 6 Light, Lamp Up/Down |
| <input type="checkbox"/> 2270NX282 | ea | 2 Ft. 8" o.c. Medium 120V, 3 Light, Lamp Up/Down |
| <input type="checkbox"/> 2272NX2 | ea | 8" Module Medium 120V, 1 Light, Lamp Up/Down |
| <i>FX2 Field Curvable</i> | | |
| <input type="checkbox"/> 2270FX284 | ea | 4 Ft. 8" o.c. Medium 120V, 6 Light, Lamp Up/Down |
| <input type="checkbox"/> 2270FX282 | ea | 2 Ft. 8" o.c. Medium 120V, 3 Light, Lamp Up/Down |
| <input type="checkbox"/> 2272FX2 | ea | 8" Module Medium 120V, 1 Light, Lamp Up/Down |

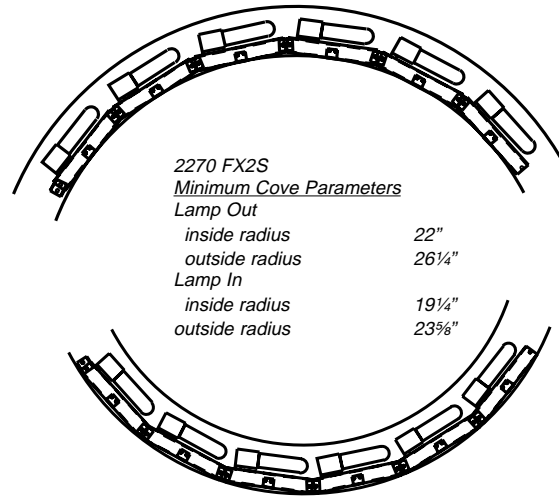
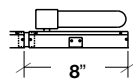
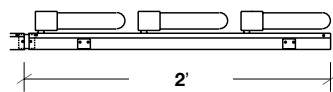
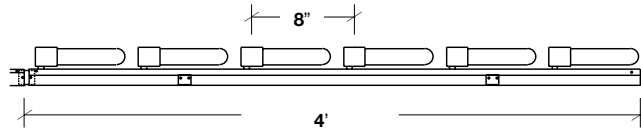
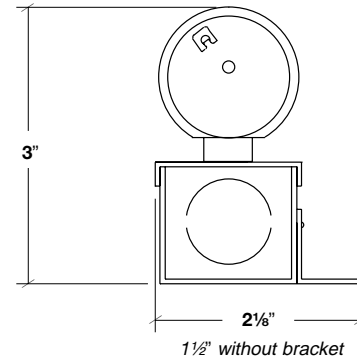
phone: (732) 493-2666
fax: (732) 493-2941
canada: (800) 726-5759



2270 NX2S & FX2S

T10 Incandescent Seamless Straight and Field Curvable System

- Linkable seamless straight and field curvable lengths
- Constructed of formed satin anodized aluminum
- T10 Lamp to 60 Watt
- 8" on center lamp spacing
- Medium base porcelain sockets
- 2270 FX2S is field adjustable to the nearest lamp increment
- One lamp module (2272) available to finish runs
- Lengths through wired for easy installation
- Exterior mounting clips for quick, easy anchoring
- UL and CUL Listed Damp Location



These products protected by one or more of the following U.S. Patent Numbers 5,448,460, 5,221,139 & 5,452,187. Other patents pending.

| Ordering Format for 2270 NX2S & FX2S T10 Light Strip | | | |
|--|---|--------------------------|---|
| <i>choose one from each category</i> | | | |
| Series | Lamp Configuration | On Center Spacing | Length |
| 2270 <i>linear fixture</i> | NX2S <i>seamless straight lamp in or out</i> | 8 <i>8" on center</i> | 4 <i>4 ft. length (6 lamps)</i> |
| 2272 <i>8" module</i> | FX2S <i>field curvable lamp in or out</i> | | 2 <i>2 ft. length (3 lamps)</i> |
| | | | <i>leave blank for 8" module (1 lamp)</i> |

Modifications and custom configurations are available. Please refer to page 128 or contact our Sales Department.

2270 NX2S & FX2S
T10 Incandescent Seamless Straight and Field Curvable System

| Product Code | U/M | Description |
|--------------------------------------|-----|--|
| <i>NX2S Seamless Straight</i> | | |
| <input type="checkbox"/> 2270NX2S84 | ea | 4 Ft. 8" o.c. Medium 120V, 6 Light, Lamp In/Out |
| <input type="checkbox"/> 2270NX2S82 | ea | 2 Ft. 8" o.c. Medium 120V, 3 Light, Lamp In/Out |
| <input type="checkbox"/> 2272NX2S | ea | 8" Add on Module Medium 120V, 1 Light, Lamp In/Out |
| <i>FX2S Field Curvable</i> | | |
| <input type="checkbox"/> 2270FX2S84 | ea | 4 Ft. 8" o.c. Medium 120V, 6 Light, Lamp In/Out |
| <input type="checkbox"/> 2270FX2S82 | ea | 2 Ft. 8" o.c. Medium 120V, 3 Light, Lamp In/Out |
| <input type="checkbox"/> 2272FX2S | ea | 8" Add on Module Medium 120V, 1 Light, Lamp In/Out |

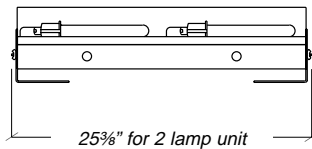
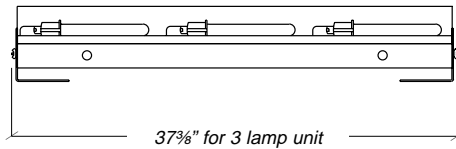
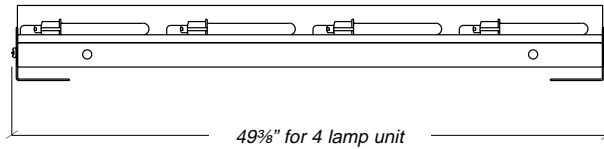
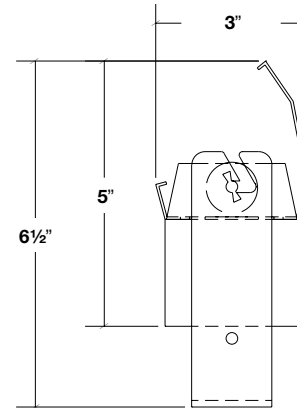
Architectural Incandescent

phone: (732) 493-2666
fax: (732) 493-2941
canada: (800) 726-5759



2830RX Incandescent Wall Wash

- T 6½ Lamp to 40 Watt
- Available in 2, 3 and 4 lamp units
- 12" lamp spacing
- Intermediate base socket
- Constructed of white formed aluminum
- Brackets finished in satin aluminum
- UL and CUL Listed Damp Location



*Note: Length dimension includes hardware
Allow ½" on each end for hardware adjustment and removal*

| Ordering Format for 2830RX Incandescent Wall Wash | | |
|---|------|--|
| <i>choose one from each category</i> | | |
| Series | Lamp | Number of Lamps |
| 2830RX | T6½ | 2 2 lamps 12" o.c. (25¾" length) |
| | | 3 3 lamps 12" o.c. (37¾" length) |
| | | 4 4 lamps 12" o.c. (49¾" length) |

Modifications and custom configurations are available. Please refer to page 128 or contact our Sales Department.

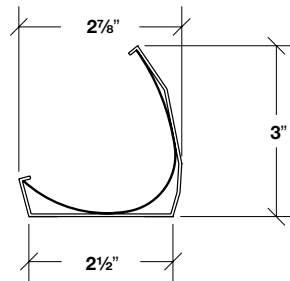
2830RX
Incandescent Wall Wash

| Product Code | U/M | Description |
|--------------------------------------|-----|--------------------------------|
| <input type="checkbox"/> 2830RXT6.52 | ea | 2 Light, 120V T6½, 25¾" length |
| <input type="checkbox"/> 2830RXT6.53 | ea | 3 Light, 120V T6½, 37¾" length |
| <input type="checkbox"/> 2830RXT6.54 | ea | 4 Light, 120V T6½, 49¾" length |

T6 ½ Incandescent Lamp Specifications

| Lamp | Description | Wattage | Lumens | Life / Hours |
|-----------------------------------|----------------------------------|---------|--------|--------------|
| <input type="checkbox"/> 20T6.51F | Frosted, Intermediate Base, 120V | 20 | 90 | 7,000 |
| <input type="checkbox"/> 25T6.51F | Frosted, Intermediate Base, 120V | 25 | 240 | 1,000 |
| <input type="checkbox"/> 40T6.51F | Frosted, Intermediate Base, 120V | 40 | 420 | 750 |

| Product Code | U/M | Description |
|---------------------------------------|-----|---------------------------------------|
| Accessories | | |
| <input type="checkbox"/> P-1808-01-60 | ea | Specular Reflector (use one per lamp) |



P-1808-01-60

The 2830RX Series is also available in a fluorescent version utilizing T8 lamps.
 Please refer to product # 2830RX on page 86.

phone: (732) 493-2666
 fax: (732) 493-2941
 canada: (800) 726-5759



Architectural Incandescent Modification Examples

Belfer's precision controlled manufacturing process allows us to meet our specifier's custom design requests. Below are two examples of custom architectural incandescent fixtures. For information regarding your particular project, please contact our sales department.

QUANTITY: 11 - 48" RUNS

CONSTRUCTION: FORMED ALUMINUM
FINISH: SATIN ANODIZED

NOTE: 2270-FX2S IS FIELD ADJUSTABLE TO NEAREST LAMP INCREMENT.

JOB NAME: BENAROYA HALL

APPROVED FOR FABRICATION:

| | | | |
|--|--------------------|----------------|-----------|
| division of | | BENAROYA HALL | |
| BELFER | LIGHTING WORLD INC | DATE | 1-14-98 |
| 1703 VALLEY ROAD | OCEAN NJ 07712 | SCALE | NTS |
| TEL (732) 493-2666 | FAX (732) 493-2941 | SHEET | 1 OF 1 |
| THIS DOCUMENT IS THE PROPERTY OF LIGHTING WORLD INC. NO RIGHTS ARE GRANTED FOR REPRODUCTION, DISCLOSURE, OR USE. | | DRAWING NUMBER | SP/S-1210 |

CONSTRUCTION: FORMED ALUMINUM
FINISH: SATIN ANODIZED

NOTE: 2240-FX2 IS FIELD ADJUSTABLE TO NEAREST LAMP INCREMENT.

JOB NAME: PALACE HOTEL

APPROVED FOR FABRICATION:

| | | | |
|--|--------------------|----------------|----------|
| division of | | PALACE HOTEL | |
| BELFER | LIGHTING WORLD INC | DATE | 3-4-97 |
| 1703 VALLEY ROAD | OCEAN NJ 07712 | SCALE | NTS |
| TEL (732) 493-2666 | FAX (732) 493-2941 | SHEET | 1 OF 1 |
| THIS DOCUMENT IS THE PROPERTY OF LIGHTING WORLD INC. NO RIGHTS ARE GRANTED FOR REPRODUCTION, DISCLOSURE, OR USE. | | DRAWING NUMBER | SP/S-997 |