

- Constructed of Cast Aluminum
- Round Backplate Standard
Square Backplate Available
- Specular Reflector
- Halogen DC Bayonet Frosted 100 Watt or 150 Watt Lamp
- Clear Tempered Protective Lens Standard
- Powder Coat Finish Options:
 - Black
 - White
 - Copper
 - Titanium
 - Oil Rubbed Bronze
 - Raw Cast Aluminum
 - Custom finishes are available
- Recommended Mounting Box: 4" Octagonal
- UL and CUL Listed Damp Location

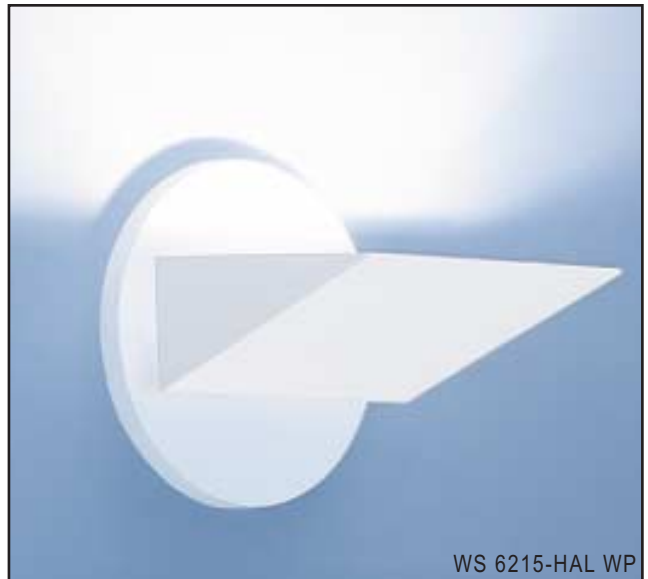
ACCESSORIES

- A complete line of optional accessories are available
- 4 1/2" Square Cast Aluminum Backplate in matching finish
 - Saw Tooth Diffuser used to minimize filament striation
 - Micro Prismatic Lens, Frosted Micro Prismatic Lens or Frosted Lens
 - Swivel Knuckle Kit for 17° adjustment (up or down)

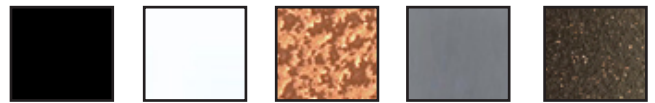
PROJECT

TYPE

CATALOG#



WS 6215-HAL WP



BLACK WHITE COPPER TITANIUM OIL RUBBED BRONZE

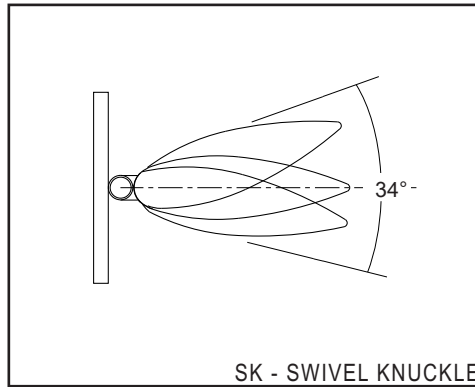
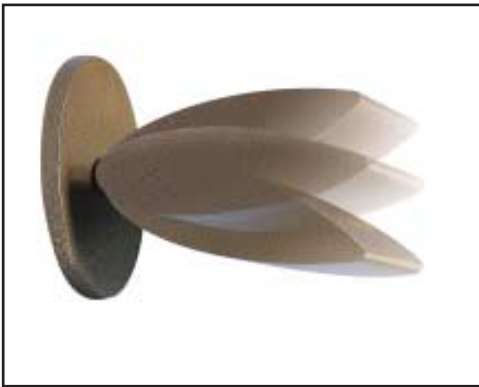
ALSO AVAILABLE IN
RAW RAW CAST ALUMINUM
CC CUSTOM COLOR

Ordering Format *choose one from each category*

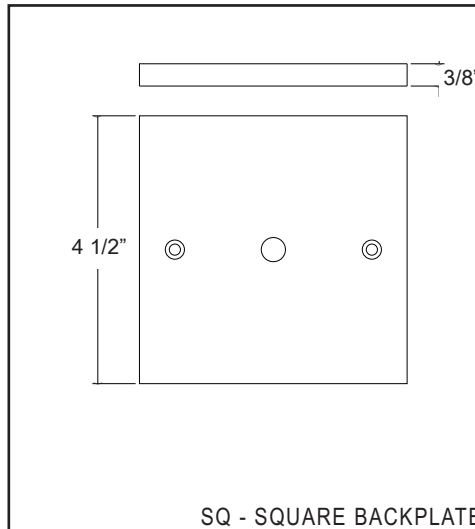
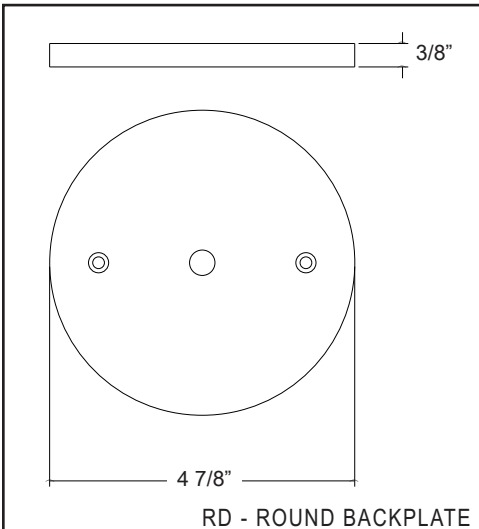
SERIES	FINISH	OPTIONAL ACCESSORIES		
WS 6215-HAL The Halogen Wedge™	<input type="checkbox"/> WP White Powder Coat	SHIELDING	ADJUSTMENT	BACKPLATE
	<input type="checkbox"/> BP Black Powder Coat	<input type="checkbox"/> SDH6 Saw Tooth Diffuser	<input type="checkbox"/> SK Swivel Knuckle <i>allows for 17° adjustment (up or down)</i>	<input type="checkbox"/> SQ Square Backplate <i>(round backplate is standard)</i>
	<input type="checkbox"/> CP Copper Powder Coat	<input type="checkbox"/> MPH6 Micro Prismatic Lens		
	<input type="checkbox"/> TP Titanium Powder Coat	<input type="checkbox"/> MPH6FR Micro Prismatic Lens Frosted		
	<input type="checkbox"/> OB Oil Rubbed Bronze	<input type="checkbox"/> CLH6FR Clear Lens Frosted <i>(Clear Tempered Protective Lens Standard)</i>		
	<input type="checkbox"/> RAW Raw Cast Aluminum			
	<input type="checkbox"/> CC Custom Color			



OUR OPTIONAL SWIVEL KNUCKLE ALLOWS FOR 17° ADJUSTMENT (UP OR DOWN) FOR OPTIMUM LIGHT DIRECTION



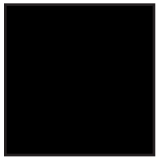
4 7/8" ROUND BACKPLATES CAN BE REPLACED WITH 4 1/2" SQUARE BACKPLATES IN MATCHING POWDERCOAT FINISHES



FIXTURE ACCESSORIES ARE AVAILABLE, INCLUDING SAW TOOTH DIFFUSERS AND FROSTED LENSES TO MINIMIZE FILAMENT STRIATION

WALL SCONCE	SAW TOOTH DIFFUSER	MICRO PRISMATIC LENS	MICRO PRISMATIC FROSTED LENS	CLEAR LENS	CLEAR LENS FROSTED	SWIVEL KNUCKLE	STANDARD BACKPLATE	OPTIONAL BACKPLATE
WS 6215-HAL	SDH6	MPH6	MPH6FR	INCL.	CLH6FR	SK	RD	SQ
WS 6215-LED	SDL6	INCL.	MPL6FR	N/A.	N/A	SK	RD	SQ
WS 6215-LED-120V	SDL6	INCL.	MPL6FR	N/A.	N/A	SK	RD	SQ
WS 6230-HAL	SDH6	MPH6	MPH6FR	INCL.	CLH6FR	INCL.	RD	SQ
WS 7215-HAL	SDH5	MPH5	MPH5FR	INCL.	CLH5FR	SK	SQ	N/A
WS 7215-LED-120V	SDL5	INCL.	MPL5FR	N/A.	N/A	SK	SQ	N/A
WS 7215-LED-220V	SDL5	INCL.	MPL5FR	N/A.	N/A	SK	SQ	N/A
WS 7230-HAL	SDH3	MPH3	MPH3FR	INCL.	CLH3FR	SK	RECT	N/A
WS 7230-LED-120V	SDL3	INCL.	MPL3FR	N/A	N/A	SK	RECT	N/A
WS 8815-HAL	SDH6	MPH6	MPH6FR	INCL.	CLH6FR	N/A	RD	N/A

RICH, DURABLE POWDER COAT FINISHES



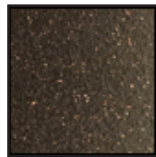
BP BLACK POWDER COAT



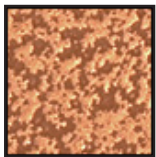
TP TITANIUM POWDER COAT



WP WHITE POWDER COAT



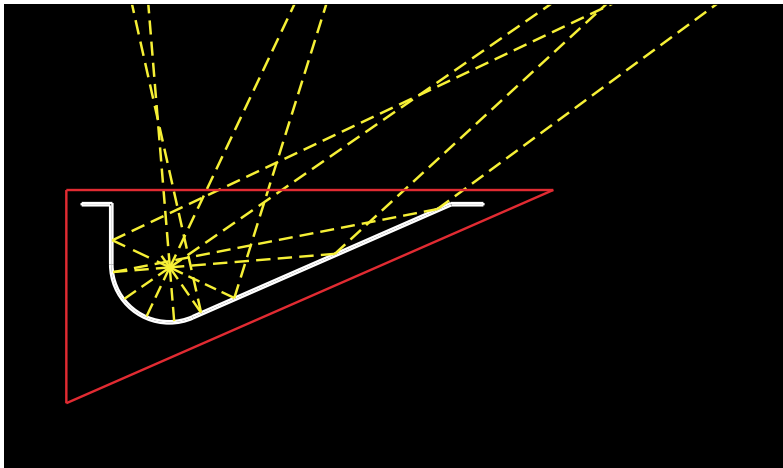
OB OIL RUBBED BRONZE P
POWDER COAT



CP COPPER POWDER COAT

ALSO AVAILABLE IN
RAW RAW CAST ALUMINUM
CC CUSTOM COLOR

COMPUTER DESIGNED SPECULAR REFLECTORS (HALOGEN FIXTURES ONLY)



SPECIFICATION GRADE CAST ALUMINUM CONSTRUCTION



SPECIFICATION GRADE FORMED ALUMINUM CONSTRUCTION

