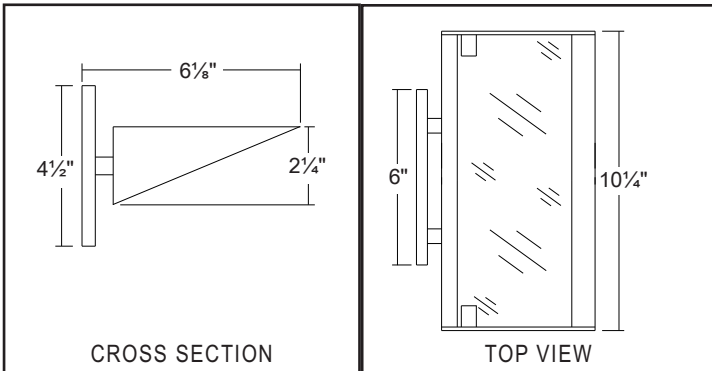


LED LINE VOLTAGE WALL SCONCE



- Formed Aluminum Housing
- Rectangular Backplate
- 3900 Initial Lumens, 30 Watts
- 130 Lumens per Watt
- 120V Line Voltage
- Dimmable with Standard ELV Controls
- Micro Prismatic Lens Standard
- Powder Coat Finish Options:
 - Black
 - White
 - Copper
 - Titanium
 - Oil Rubbed Bronze
 - Custom finishes are available
- Recommended Mounting Box: 4" Octagonal
- UL and CUL Listed Damp Location

ACCESSORIES

- A complete line of optional accessories are available
- Saw Tooth Diffuser used to minimize filament striation
 - Frosted Micro Prismatic Lens
 - Swivel Knuckle Kit for 17° adjustment (up or down)

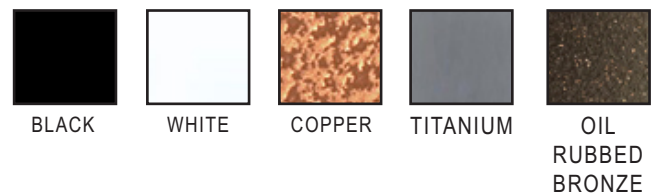
PROJECT

TYPE

CATALOG#



WS 7230-LED-120V WP

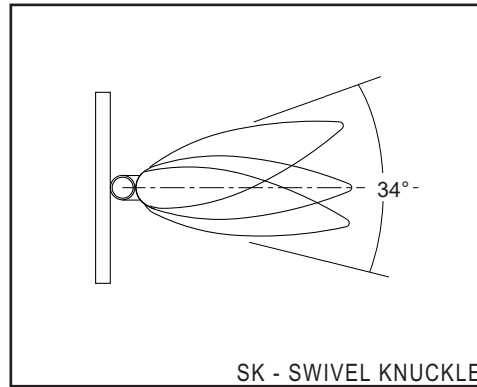
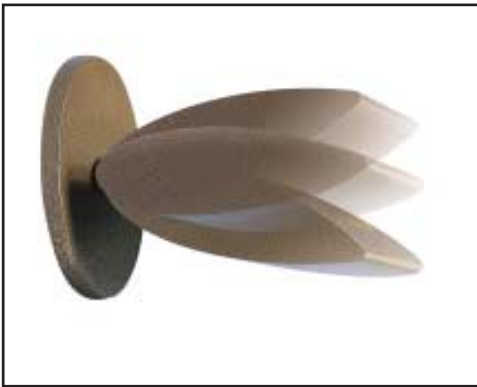


Ordering Format *choose one from each category*

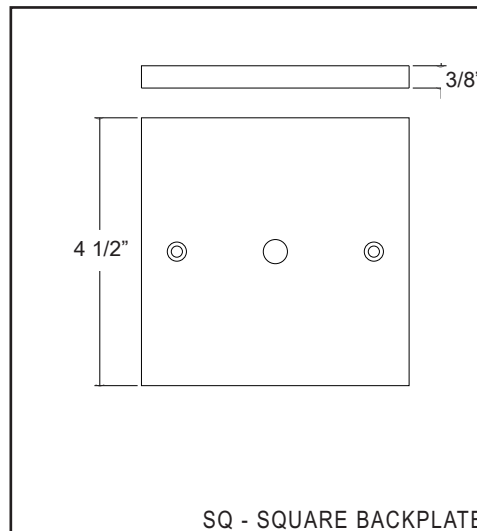
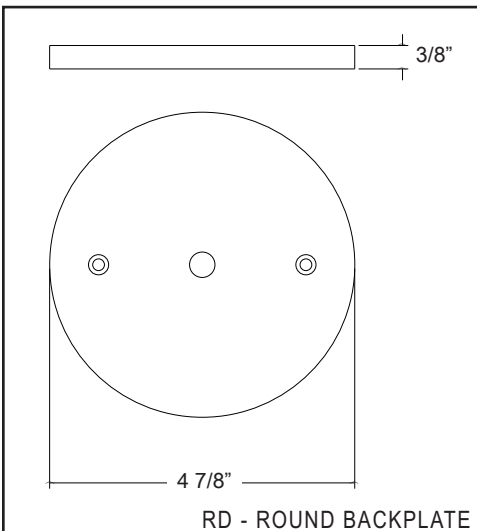
SERIES	KELVIN	CRI	FINISH	OPTIONAL ACCESSORIES
WS 7230-LED-120V The LED Line Voltage Wedge Lens™	<input type="checkbox"/> 27 2700K	<input type="checkbox"/> 80 80+	<input type="checkbox"/> WP White Powder Coat	ADJUSTMENT
	<input type="checkbox"/> 30 3000K	<input type="checkbox"/> 90 90+	<input type="checkbox"/> BP Black Powder Coat	<input type="checkbox"/> SK Swivel Knuckle <i>allows for 17° adjustment (up or down)</i>
	<input type="checkbox"/> 35 3500K		<input type="checkbox"/> CP Copper Powder Coat	SHIELDING
			<input type="checkbox"/> TP Titanium Powder Coat	<input type="checkbox"/> MPL3FR Micro Prismatic Lens Frosted <i>(Micro Prismatic Lens Standard)</i>
			<input type="checkbox"/> OB Oil Rubbed Bronze	<input type="checkbox"/> SDL3 Saw Tooth Diffuser
			<input type="checkbox"/> CC Custom Color	



OUR OPTIONAL SWIVEL KNUCKLE ALLOWS FOR 17° ADJUSTMENT (UP OR DOWN) FOR OPTIMUM LIGHT DIRECTION



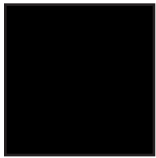
4 7/8" ROUND BACKPLATES CAN BE REPLACED WITH 4 1/2" SQUARE BACKPLATES IN MATCHING POWDERCOAT FINISHES



SAW TOOTH DIFFUSERS AND FROSTED LENSES ARE AVAILABLE TO MINIMIZE FILAMENT STRIATION

WALL SCONCE	SAW TOOTH DIFFUSER	MICRO PRISMATIC LENS	MICRO PRISMATIC FROSTED LENS	CLEAR LENS	CLEAR LENS FROSTED	SWIVEL KNUCKLE	STANDARD BACKPLATE	OPTIONAL BACKPLATE
WS 6215-HAL	SDH6	MPH6	MPH6FR	INCL.	CLH6FR	SK	RD	SQ
WS 6215-LED	SDL6	INCL.	MPL6FR	N/A.	N/A	SK	RD	SQ
WS 6215-LED-120V	SDL6	INCL.	MPL6FR	N/A.	N/A	SK	RD	SQ
WS 6230-HAL	SDH6	MPH6	MPH6FR	INCL.	CLH6FR	INCL.	RD	SQ
WS 7215-HAL	SDH5	MPH5	MPH5FR	INCL.	CLH5FR	SK	SQ	N/A
WS 7215-LED-120V	SDL5	INCL.	MPL5FR	N/A.	N/A	SK	SQ	N/A
WS 7230-HAL	SDH3	MPH3	MPH3FR	INCL.	CLH3FR	SK	RECT	N/A
WS 7230-LED-120V	SDL3	INCL.	MPL3FR	N/A	N/A	SK	RECT	N/A
WS 8815-HAL	SDH6	MPH6	MPH6FR	INCL.	CLH6FR	N/A	RD	N/A

RICH, DURABLE POWDER COAT FINISHES



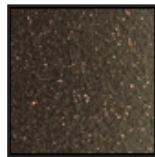
BP BLACK POWDER COAT



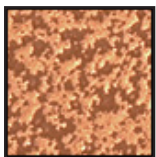
TP TITANIUM POWDER COAT



WP WHITE POWDER COAT



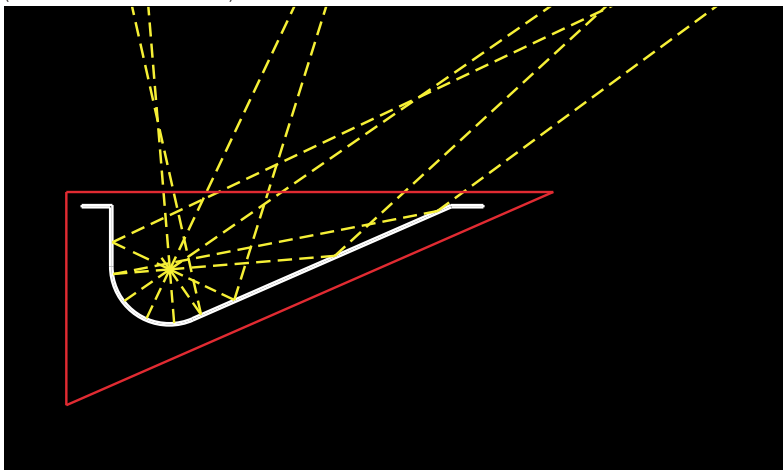
OB OIL RUBBED BRONZE P
POWDER COAT



CP COPPER POWDER COAT

ALSO AVAILABLE IN
RAW RAW CAST ALUMINUM
CC CUSTOM COLOR

COMPUTER DESIGNED SPECULAR REFLECTORS (HALOGEN FIXTURES ONLY)



SPECIFICATION GRADE CAST ALUMINUM CONSTRUCTION



SPECIFICATION GRADE FORMED ALUMINUM CONSTRUCTION

