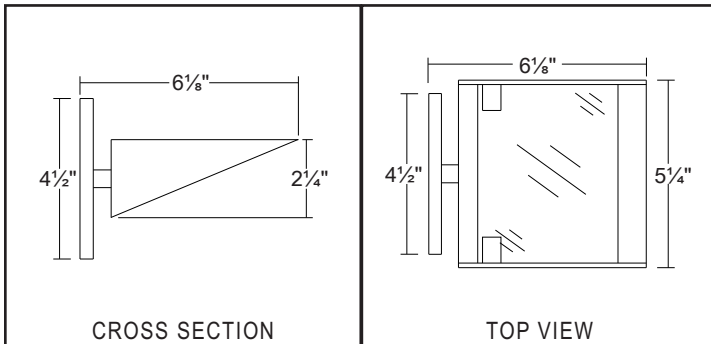


### LED LINE VOLTAGE WALL SCONCE

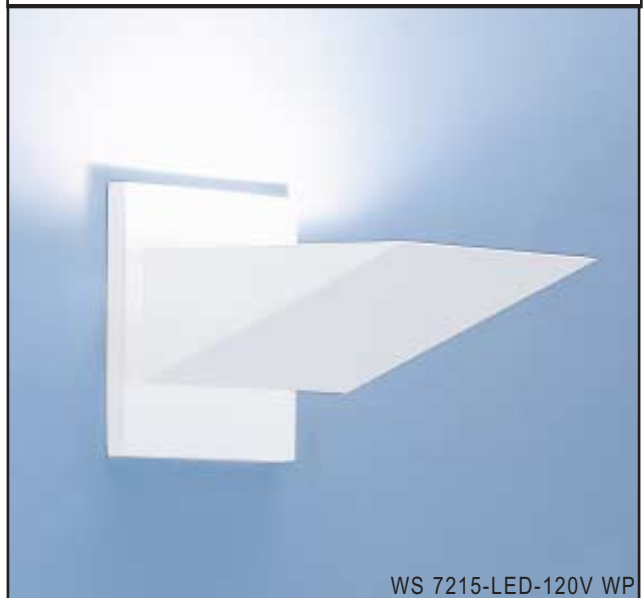


- Formed Aluminum Housing
- Square Backplate
- 2600 Initial Lumens, 20 Watts
- 260 Lumens per Watt
- 120V Line Voltage
- Dimmable with Standard ELV Controls
- Micro Prismatic Lens Standard
- Powder Coat Finish Options:
  - Black
  - White
  - Copper
  - Titanium
  - Oil Rubbed Bronze
  - Custom finishes are available
- Recommended Mounting Box: 4" Octagonal
- UL and CUL Listed Damp Location

PROJECT

TYPE

CATALOG#



WS 7215-LED-120V WP

#### ACCESSORIES

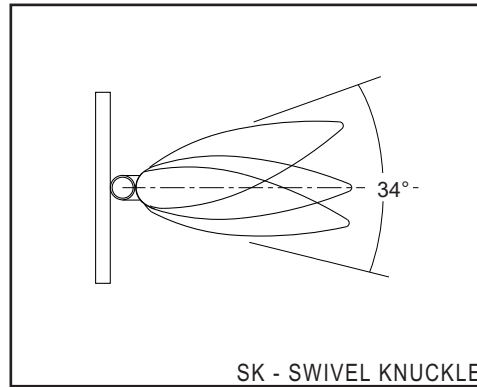
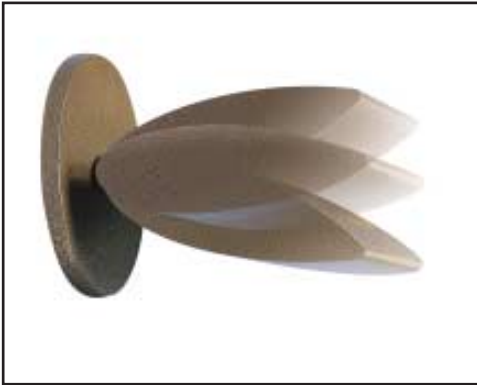
- A complete line of optional accessories are available
- Saw Tooth Diffuser used to minimize filament striation
  - Frosted Micro Prismatic Lens
  - Swivel Knuckle Kit for 17° adjustment (up or down)

### Ordering Format *choose one from each category*

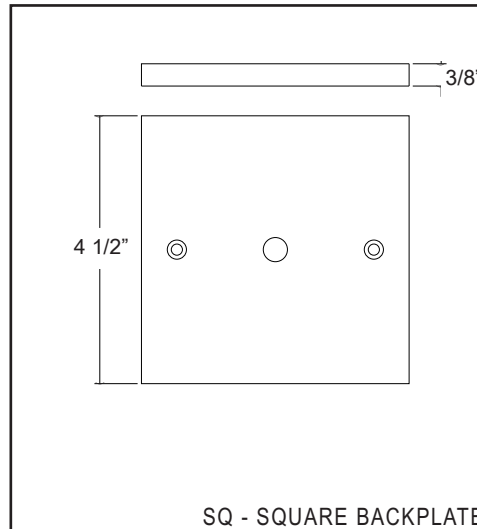
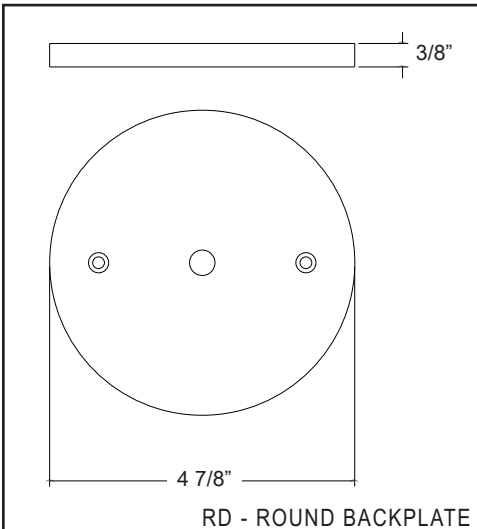
SERIES	KELVIN	CRI	FINISH	OPTIONAL ACCESSORIES
<b>WS 7215-LED-120V</b> The LED Line Voltage Wedge Lens™	<input type="checkbox"/> 27 2700K	<input type="checkbox"/> 80 80+	<input type="checkbox"/> <b>WP</b> White Powder Coat	<b>ADJUSTMENT</b>
	<input type="checkbox"/> 30 3000K	<input type="checkbox"/> 90 90+	<input type="checkbox"/> <b>BP</b> Black Powder Coat	<input type="checkbox"/> <b>SK</b> Swivel Knuckle <i>allows for 17° adjustment (up or down)</i>
	<input type="checkbox"/> 35 3500K		<input type="checkbox"/> <b>CP</b> Copper Powder Coat	<b>SHIELDING</b>
			<input type="checkbox"/> <b>TP</b> Titanium Powder Coat	<input type="checkbox"/> <b>MPL5FR</b> Micro Prismatic Lens Frosted <i>(Micro Prismatic Lens Standard)</i>
			<input type="checkbox"/> <b>OB</b> Oil Rubbed Bronze	<input type="checkbox"/> <b>SDL5</b> Saw Tooth Diffuser
			<input type="checkbox"/> <b>CC</b> Custom Color	



OUR OPTIONAL SWIVEL KNUCKLE ALLOWS FOR 17° ADJUSTMENT (UP OR DOWN) FOR OPTIMUM LIGHT DIRECTION

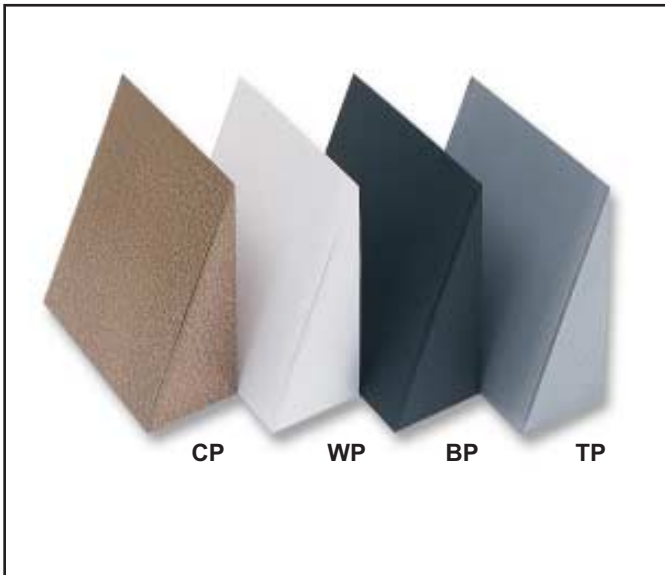


4 7/8" ROUND BACKPLATES CAN BE REPLACED WITH 4 1/2" SQUARE BACKPLATES IN MATCHING POWDERCOAT FINISHES



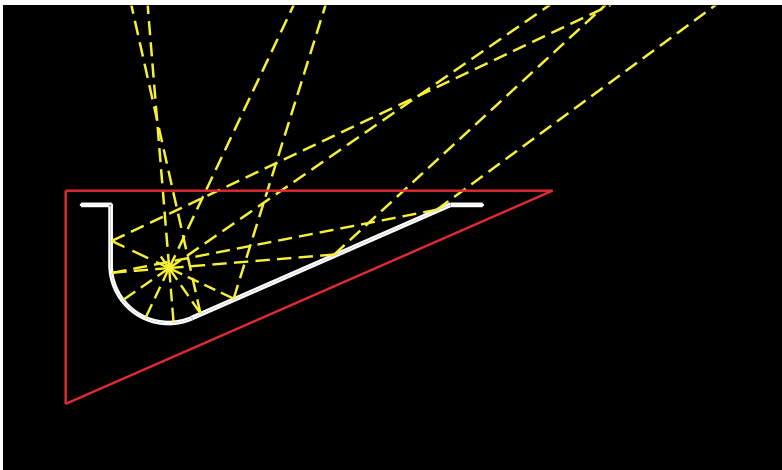
SAW TOOTH DIFFUSERS AND FROSTED LENSES ARE AVAILABLE TO MINIMIZE FILAMENT STRIATION

WALL SCONCE	SAW TOOTH DIFFUSER	MICRO PRISMATIC LENS	MICRO PRISMATIC FROSTED LENS	CLEAR LENS	CLEAR LENS FROSTED	SWIVEL KNUCKLE	STANDARD BACKPLATE	OPTIONAL BACKPLATE
WS 6215-HAL	SDH6	MPH6	MPH6FR	INCL.	CLH6FR	SK	RD	SQ
WS 6215-LED	SDL6	INCL.	MPL6FR	N/A.	N/A	SK	RD	SQ
WS 6215-LED-120V	SDL6	INCL.	MPL6FR	N/A.	N/A	SK	RD	SQ
WS 6230-HAL	SDH6	MPH6	MPH6FR	INCL.	CLH6FR	INCL.	RD	SQ
WS 7215-HAL	SDH5	MPH5	MPH5FR	INCL.	CLH5FR	SK	SQ	N/A
WS 7215-LED-120V	SDL5	INCL.	MPL5FR	N/A.	N/A	SK	SQ	N/A
WS 7230-HAL	SDH3	MPH3	MPH3FR	INCL.	CLH3FR	SK	RECT	N/A
WS 7230-LED-120V	SDL3	INCL.	MPL3FR	N/A	N/A	SK	RECT	N/A
WS 8815-HAL	SDH6	MPH6	MPH6FR	INCL.	CLH6FR	N/A	RD	N/A



- WP** WHITE POWDER COAT
  - BP** BLACK POWDER COAT
  - CP** COPPER POWDER COAT
  - TP** TITANIUM POWDER COAT
  - OB** OIL RUBBED BRONZE POWDER COAT
- ALSO AVAILABLE IN  
**RAW** RAW CAST ALUMINUM OR  
**CC** CUSTOM COLOR

RICH, DURABLE POWDER COAT FINISHES



COMPUTER DESIGNED SPECULAR REFLECTORS  
(HALOGEN FIXTURES ONLY)



SPECIFICATION GRADE CAST ALUMINUM  
CONSTRUCTION



SPECIFICATION GRADE FORMED ALUMINUM  
CONSTRUCTION