

PROJECT

TYPE

CATALOG#



- Smallest in Series
- Meets ADA Requirements for Wall Sconces
- Constructed of Cast Aluminum
- Round Backplate
- Specular Reflector
- Halogen DC Bayonet Frosted 100 Watt Lamp max.
- Clear Tempered Protective Lens Standard
- Powder Coat Finish Options:
 - Black
 - White
 - Copper
 - Titanium
 - Oil Rubbed Bronze
 - Raw Cast Aluminum
 - Custom finishes are available
- Recommended Mounting Box: 4" Octagonal
- UL and CUL Listed Damp Location

ACCESSORIES

- A complete line of optional accessories are available
- Saw Tooth Diffuser used to minimize filament striation
 - Micro Prismatic Lens, Frosted Micro Prismatic Lens or Frosted Lens

Ordering Format *choose one from each category*

SERIES

WS 8815-HAL
The ADA Wedge™

FINISH

- WP**
White Powder Coat
- BP**
Black Powder Coat
- CP**
Copper Powder Coat
- TP**
Titanium Powder Coat
- OB**
Oil Rubbed Bronze
- RAW**
Raw Cast Aluminum
- CC**
Custom Color

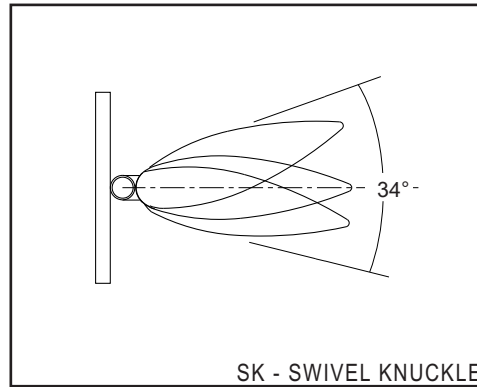
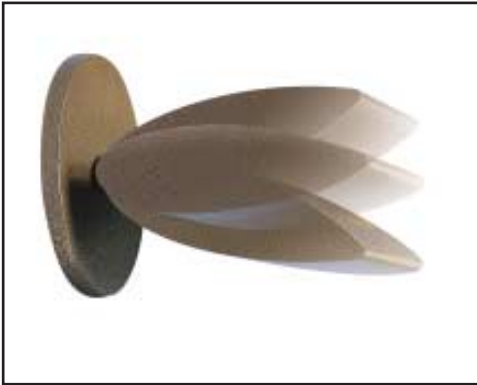
OPTIONAL ACCESSORIES

SHIELDING

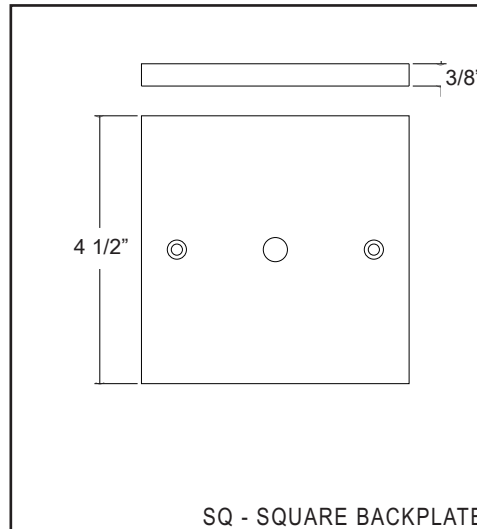
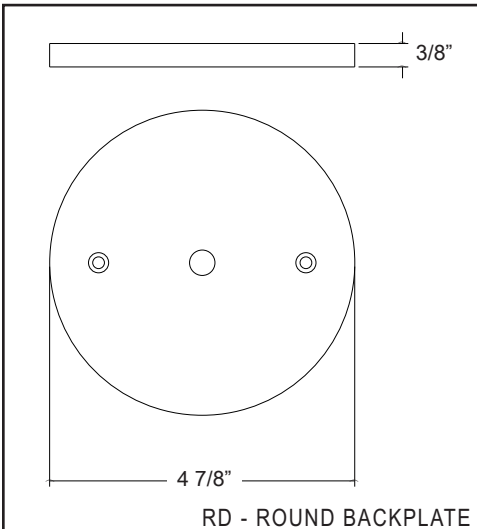
- SDH6**
Saw Tooth Diffuser
- MPH6**
Micro Prismatic Lens
- MPH6FR**
Micro Prismatic Lens Frosted
- CLH6FR**
Clear Lens Frosted
(Clear Tempered Protective Lens Standard)



OUR OPTIONAL SWIVEL KNUCKLE ALLOWS FOR 17° ADJUSTMENT (UP OR DOWN) FOR OPTIMUM LIGHT DIRECTION

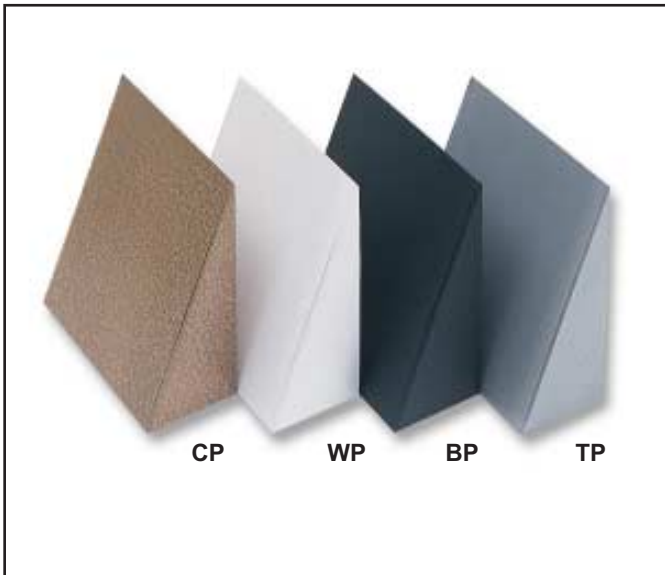


4 7/8" ROUND BACKPLATES CAN BE REPLACED WITH 4 1/2" SQUARE BACKPLATES IN MATCHING POWDERCOAT FINISHES



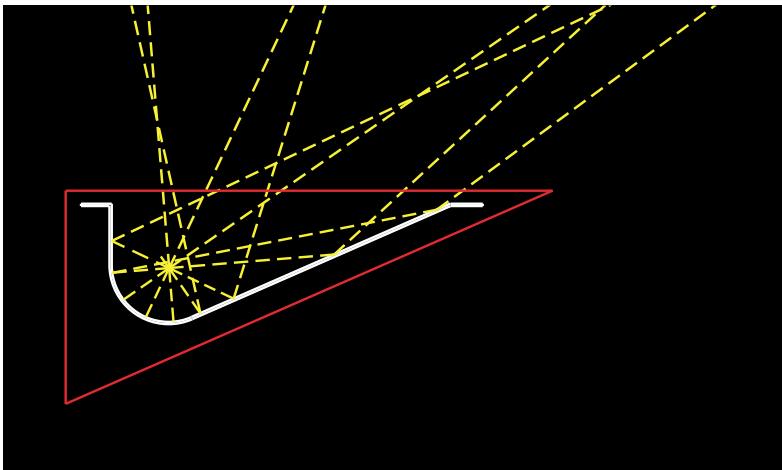
SAW TOOTH DIFFUSERS AND FROSTED LENSES ARE AVAILABLE TO MINIMIZE FILAMENT STRIATION

WALL SCONCE	SAW TOOTH DIFFUSER	MICRO PRISMATIC LENS	MICRO PRISMATIC FROSTED LENS	CLEAR LENS	CLEAR LENS FROSTED	SWIVEL KNUCKLE	STANDARD BACKPLATE	OPTIONAL BACKPLATE
WS 6215-HAL	SDH6	MPH6	MPH6FR	INCL.	CLH6FR	SK	RD	SQ
WS 6215-LED	SDL6	INCL.	MPL6FR	N/A.	N/A	SK	RD	SQ
WS 6215-LED-120V	SDL6	INCL.	MPL6FR	N/A.	N/A	SK	RD	SQ
WS 6230-HAL	SDH6	MPH6	MPH6FR	INCL.	CLH6FR	INCL.	RD	SQ
WS 7215-HAL	SDH5	MPH5	MPH5FR	INCL.	CLH5FR	SK	SQ	N/A
WS 7215-LED-120V	SDL5	INCL.	MPL5FR	N/A.	N/A	SK	SQ	N/A
WS 7230-HAL	SDH3	MPH3	MPH3FR	INCL.	CLH3FR	SK	RECT	N/A
WS 7230-LED-120V	SDL3	INCL.	MPL3FR	N/A	N/A	SK	RECT	N/A
WS 8815-HAL	SDH6	MPH6	MPH6FR	INCL.	CLH6FR	N/A	RD	N/A



- WP** WHITE POWDER COAT
 - BP** BLACK POWDER COAT
 - CP** COPPER POWDER COAT
 - TP** TITANIUM POWDER COAT
 - OB** OIL RUBBED BRONZE POWDER COAT
- ALSO AVAILABLE IN
RAW RAW CAST ALUMINUM OR
CC CUSTOM COLOR

RICH, DURABLE POWDER COAT FINISHES



COMPUTER DESIGNED SPECULAR REFLECTORS



SPECIFICATION GRADE CAST ALUMINUM CONSTRUCTION



SPECIFICATION GRADE FORMED ALUMINUM CONSTRUCTION