

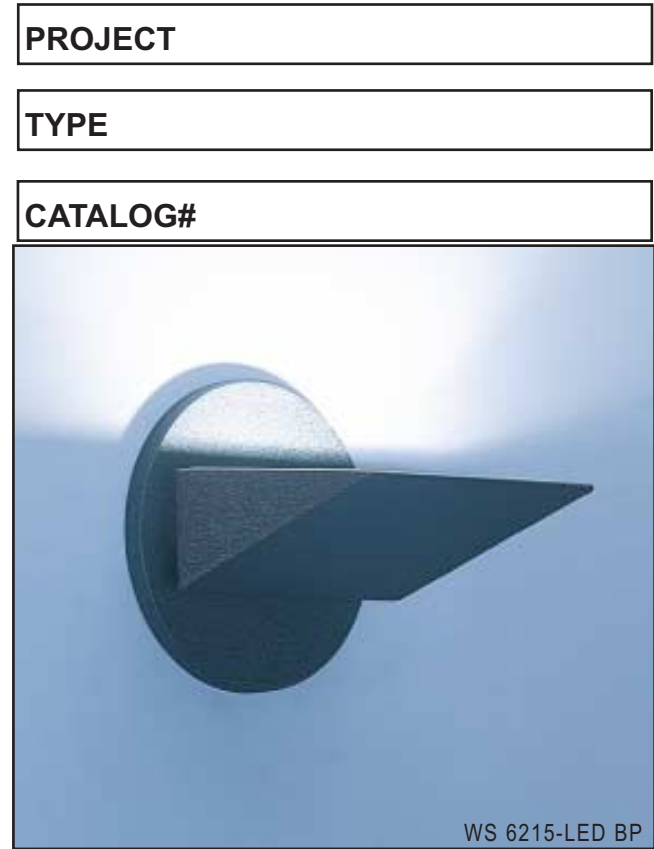
- Constructed of Cast Aluminum
- Round Backplate Standard
Square Backplate Available
- Specular Reflector
- 3000 Initial Lumens, 27.5 Watts
- 116 Lumens per Watt
- Universal Voltage
- 0-10V Low Voltage Phased Dimming - PWM
- Micro Prismatic Lens
- Powder Coat Finish Options:
 - Black
 - White
 - Copper
 - Titanium
 - Oil Rubbed Bronze
 - Raw Cast Aluminum
 - Custom finishes are available
- Recommended Mounting Box: 4" Octagonal
- UL and CUL Listed Damp Location

ACCESSORIES

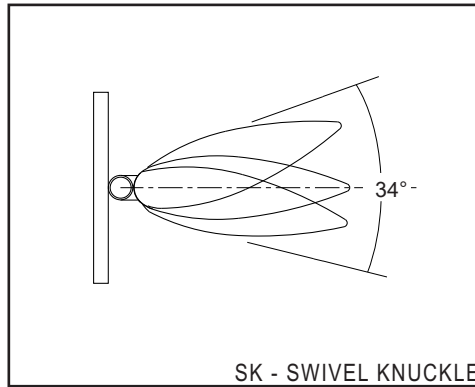
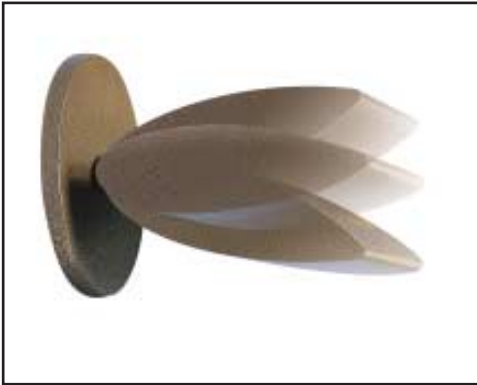
- A complete line of optional accessories are available
- 4 1/2" Square Cast Aluminum Backplate in matching finish
 - Saw Tooth Diffuser used to minimize filament striation
 - Frosted Micro Prismatic Lens
 - Swivel Knuckle Kit for 17° adjustment (up or down)

Ordering Format *choose one from each category*

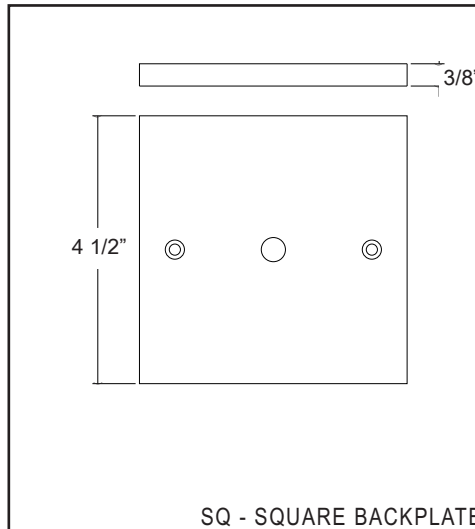
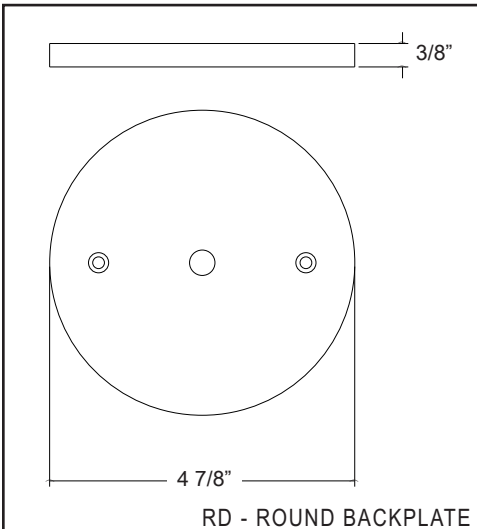
SERIES	KELVIN	CRI	FINISH	OPTIONAL ACCESSORIES	
WS 6215-LED The LED Wedge™	<input type="checkbox"/> 27 2700K	<input type="checkbox"/> 80 80+	<input type="checkbox"/> WP White Powder Coat	<input type="checkbox"/> SK Swivel Knuckle <i>allows for 17° adjustment (up or down)</i>	<input type="checkbox"/> SQ Square Backplate <i>(round backplate standard)</i>
	<input type="checkbox"/> 30 3000K	<input type="checkbox"/> 90 90+	<input type="checkbox"/> BP Black Powder Coat		
	<input type="checkbox"/> 35 3500K		<input type="checkbox"/> CP Copper Powder Coat		
			<input type="checkbox"/> TP Titanium Powder Coat	<input type="checkbox"/> SHIELDING	
			<input type="checkbox"/> OB Oil Rubbed Bronze	<input type="checkbox"/> MPL6FR Micro Prismatic Lens Frosted <i>(Micro Prismatic Lens Standard)</i>	
			<input type="checkbox"/> RAW Raw Cast Aluminum	<input type="checkbox"/> SDL6 Saw Tooth Diffuser	
			<input type="checkbox"/> CC Custom Color		



OUR OPTIONAL SWIVEL KNUCKLE ALLOWS FOR 17° ADJUSTMENT (UP OR DOWN) FOR OPTIMUM LIGHT DIRECTION

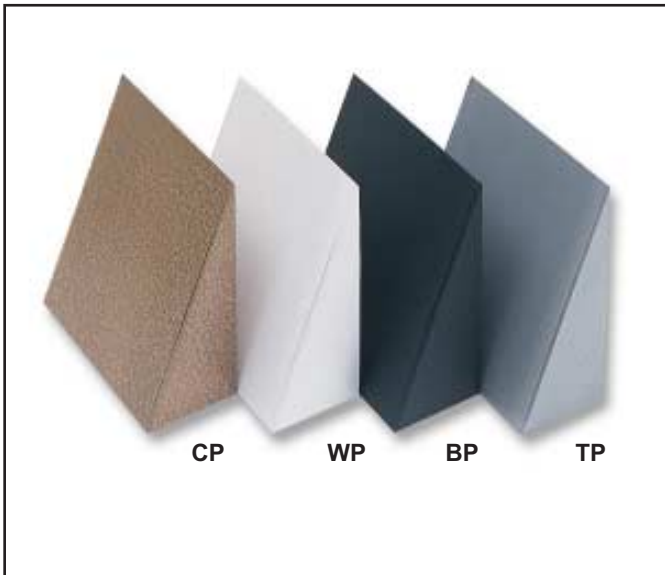


4 7/8" ROUND BACKPLATES CAN BE REPLACED WITH 4 1/2" SQUARE BACKPLATES IN MATCHING POWDERCOAT FINISHES



SAW TOOTH DIFFUSERS AND FROSTED LENSES ARE AVAILABLE TO MINIMIZE FILAMENT STRIATION

WALL SCONCE	SAW TOOTH DIFFUSER	MICRO PRISMATIC LENS	MICRO PRISMATIC FROSTED LENS	CLEAR LENS	CLEAR LENS FROSTED	SWIVEL KNUCKLE	STANDARD BACKPLATE	OPTIONAL BACKPLATE
WS 6215-HAL	SDH6	MPH6	MPH6FR	INCL.	CLH6FR	SK	RD	SQ
WS 6215-LED	SDL6	INCL.	MPL6FR	N/A.	N/A	SK	RD	SQ
WS 6215-LED-120V	SDL6	INCL.	MPL6FR	N/A.	N/A	SK	RD	SQ
WS 6230-HAL	SDH6	MPH6	MPH6FR	INCL.	CLH6FR	INCL.	RD	SQ
WS 7215-HAL	SDH5	MPH5	MPH5FR	INCL.	CLH5FR	SK	SQ	N/A
WS 7215-LED-120V	SDL5	INCL.	MPL5FR	N/A.	N/A	SK	SQ	N/A
WS 7230-HAL	SDH3	MPH3	MPH3FR	INCL.	CLH3FR	SK	RECT	N/A
WS 7230-LED-120V	SDL3	INCL.	MPL3FR	N/A	N/A	SK	RECT	N/A
WS 8815-HAL	SDH6	MPH6	MPH6FR	INCL.	CLH6FR	N/A	RD	N/A



WP WHITE POWDER COAT

BP BLACK POWDER COAT

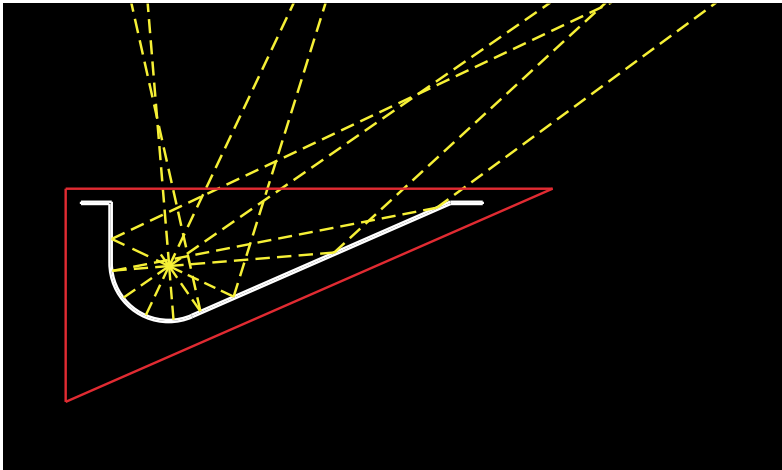
CP COPPER POWDER COAT

TP TITANIUM POWDER COAT

OB OIL RUBBED BRONZE
POWDER COAT

ALSO AVAILABLE IN
RAW RAW CAST ALUMINUM OR
CC CUSTOM COLOR

RICH, DURABLE POWDER COAT FINISHES



COMPUTER DESIGNED SPECULAR REFLECTORS



SPECIFICATION GRADE CAST ALUMINUM
CONSTRUCTION



SPECIFICATION GRADE FORMED ALUMINUM
CONSTRUCTION