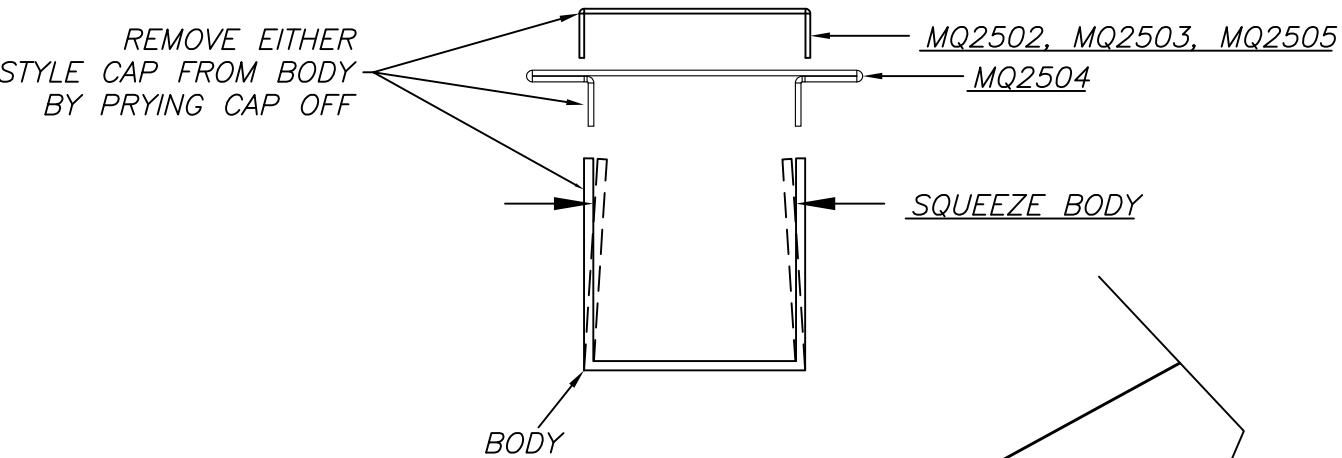


# INSTALL INSTRUCTIONS FOR MQ2502, MQ2503, MQ2504, MQ2505

## PLEASE READ ALL INSTRUCTIONS CAREFULLY

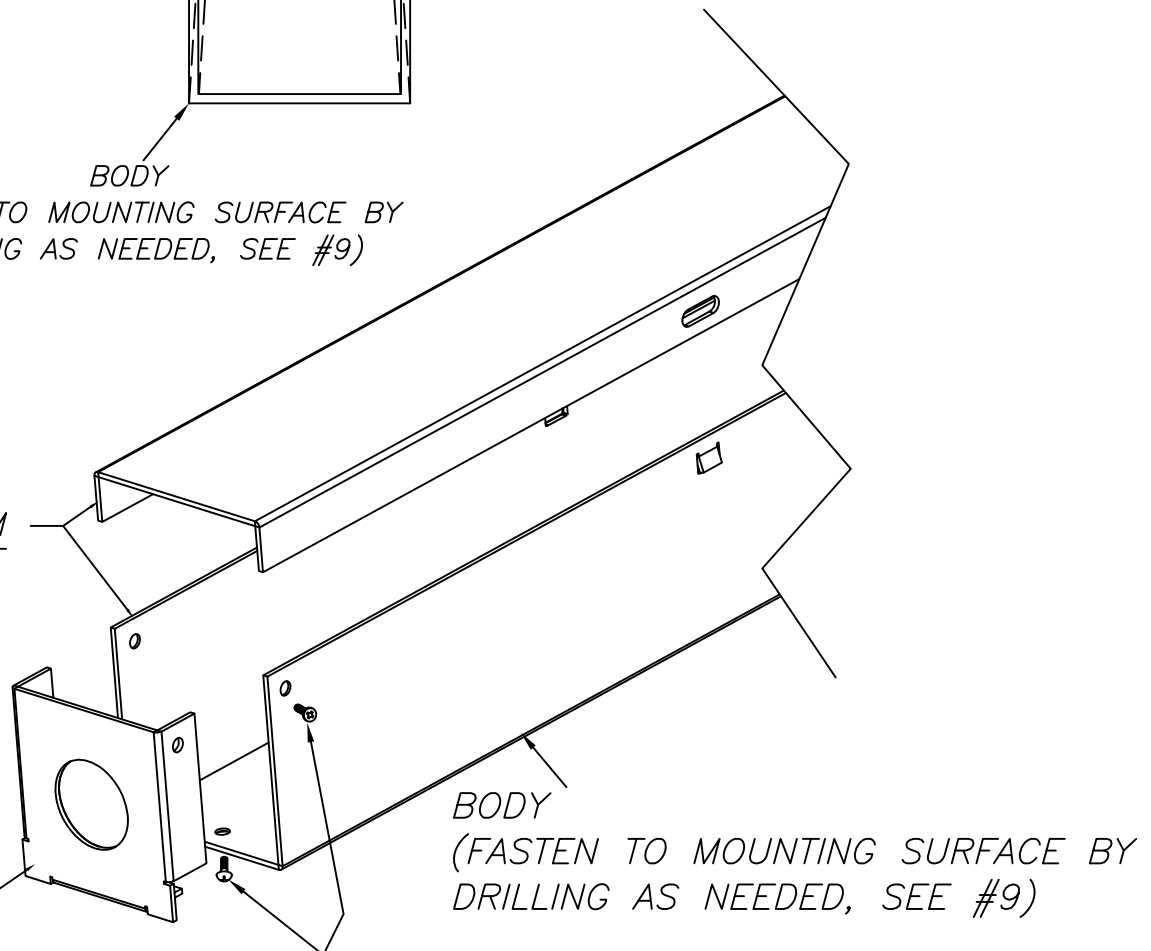
REMOVE EITHER  
STYLE CAP FROM BODY  
BY PRYING CAP OFF



FASTEN TO MOUNTING SURFACE BY  
DRILLING AS NEEDED, SEE #9)

REMOVE CAP FROM  
BODY BY PRYING OFF

REMOVE CAP FROM  
BODY BY REMOVING  
SCREWS(3)



PHILLIPS HEAD SHEETMETAL  
SCREW (QTY. 3 PER END)

### WIRING INSTRUCTIONS:

1. **IMPORTANT: VERIFY ALL POWER HAS BEEN SHUT OFF.....**
2. UNSCREW PHILIPS HEAD SHEET METAL SCREWS AND REMOVE END CAP.
3. KNOCK OUT APPROPRIATE K.O.
4. CONNECT FITTINGS TO END CAP.
5. WIRE IN ACCORDANCE WITH THE N.E.C. CODE AND ANY APPLICABLE LOCAL CODES.
6. REPLACE END CAP AND TIGHTEN WITH PHILIPS HEAD SHEET METAL SCREWS.
7. REMOVE OPPOSITE END CAP, INSULATE AND STORE EXTRA WIRES.
8. REPLACE END CAP AND TIGHTEN WITH PHILIPS HEAD SHEET METAL SCREWS.
9. FASTEN BODY TO MOUNTING SURFACE USING FASTENERS APPROPRIATE TO SITE CONDITIONS, BY DRILLING AS NEEDED.
10. ALIGN BODY AND CAP AND APPLY PRESSURE AND SNAP TOGETHER.

ALL DIMENSIONS ARE IN INCHES  
UNLESS OTHERWISE SPECIFIED

# BELFER LIGHTING

NEW JERSEY, USA - 732-493-2666  
COPYRIGHT © BELFER LIGHTING  
NO RIGHTS ARE GRANTED FOR  
REPRODUCTION, DISCLOSURE, OR USE.

TITLE MQ2502, MQ2503, MQ2504, MQ2505  
INSTALLATION INSTRUCTIONS

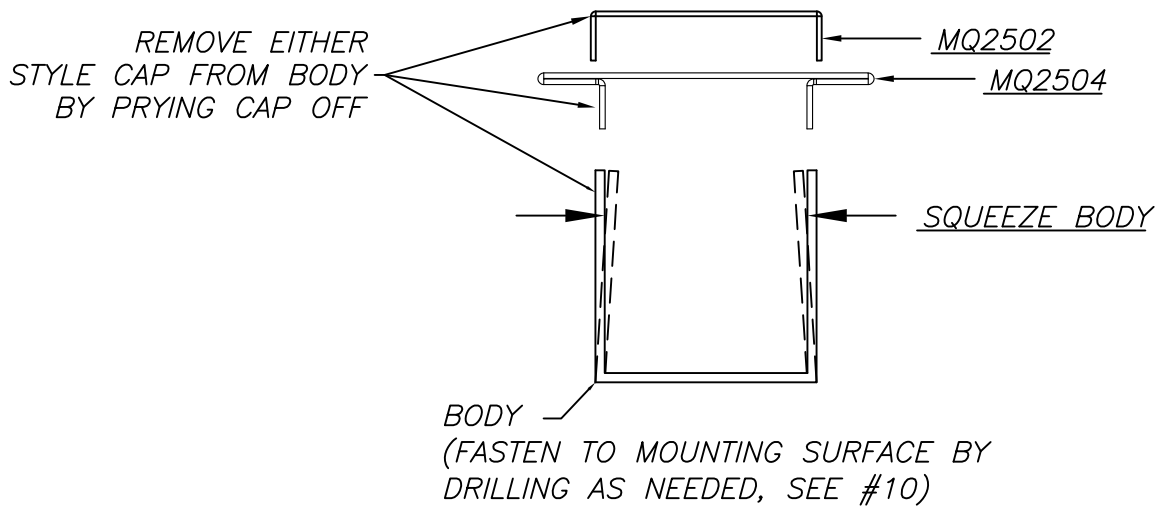
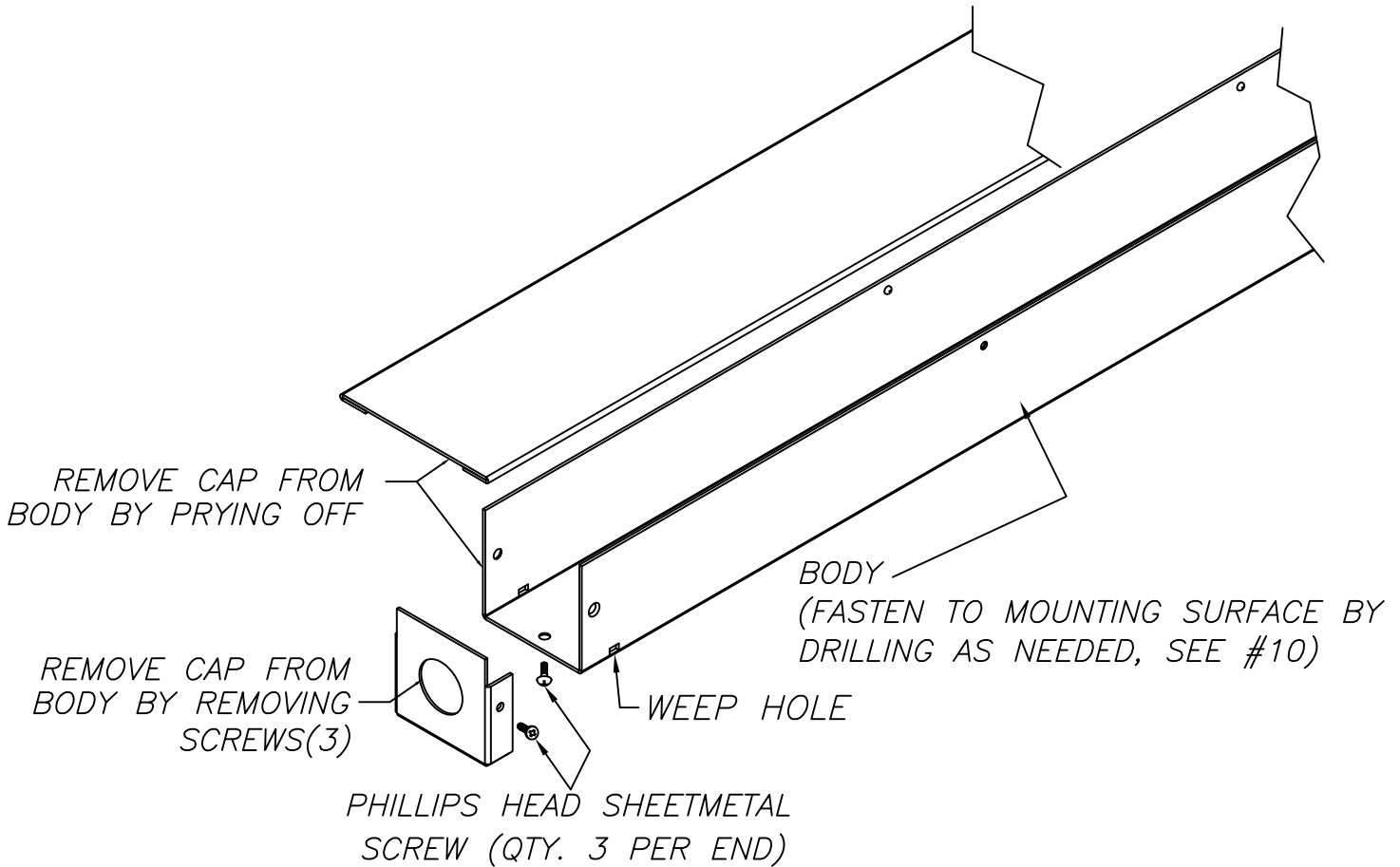
DATE	9/18/17	SCALE	NTS	DRAWN	RPM	APPROVED
SHEET	1 OF 1	DWG. NO.	MQ2502/03/04/05		REV.	0

FRACTIONAL	±1/32
.XX	±0.01
.XXX	±0.005
ANGULAR	±1/2°

**INSTALLATION INSTRUCTIONS FOR MQ2502 & MQ2504 WET LOCATION  
PLEASE READ ALL INSTRUCTIONS CAREFULLY**

WIRING INSTRUCTIONS:

1. **IMPORTANT: VERIFY ALL POWER HAS BEEN SHUT OFF.....**
2. **IMPORTANT: USE LAMPS SUITABLE FOR OUTDOOR USE ONLY. (SEE LAMP MANUFACTURERS SPECIFICATIONS AND NOTES.)**
3. **SEPARATE CAP FROM BODY BY PRYING OFF.**
2. **UNSCREW PHILIPS HEAD SHEET METAL SCREWS AND REMOVE END CAP.**



ALL DIMENSIONS ARE IN INCHES  
UNLESS OTHERWISE SPECIFIED

**BELFER LIGHTING**

NEW JERSEY, USA - 732-493-2666  
COPYRIGHT © BELFER LIGHTING  
NO RIGHTS ARE GRANTED FOR  
REPRODUCTION, DISCLOSURE, OR USE.

TITLE MQ2502/MQ2504 WET LOCATION INSTALL

DATE 9/14/17	SCALE NTS	DRAWN RPM	APPROVED
--------------	-----------	-----------	----------

SHEET 1 OF 2	DWG. NO. MQ2502/2504	REV. 0
--------------	----------------------	--------

FRACTIONAL	±1/32
.XX	±0.01
.XXX	±0.005
ANGULAR	±1/2°

**INSTALLATION INSTRUCTIONS FOR MQ2502 & MQ2504 WET LOCATION  
PLEASE READ ALL INSTRUCTIONS CAREFULLY**

4. KNOCK OUT APPROPRIATE K.O.
5. CONNECT FITTINGS TO END CAP.
6. WIRE IN ACCORDANCE WITH THE N.E.C. CODE AND ANY APPLICABLE LOCAL CODES.
7. REPLACE END CAP AND TIGHTEN WITH PHILIPS HEAD SHEET METAL SCREWS.
8. REMOVE OPPOSITE END CAP, INSULATE AND STORE EXTRA WIRES.
9. REPLACE END CAP AND TIGHTEN WITH THREE PHILIPS HEAD SHEET METAL SCREWS.
10. FASTEN BODY TO MOUNTING SURFACE USING FASTENERS APPROPRIATE TO SITE CONDITIONS BY DRILLING AS NEEDED.
11. ALIGN BODY WITH THE CAP AND APPLY PRESSURE TO SNAP THE BODY AND CAP TOGETHER.
12. TO JOIN MULTIPLE FIXTURES, WHERE END CAPS WILL NOT BE USED, ASSEMBLE AS SHOWN BELOW.

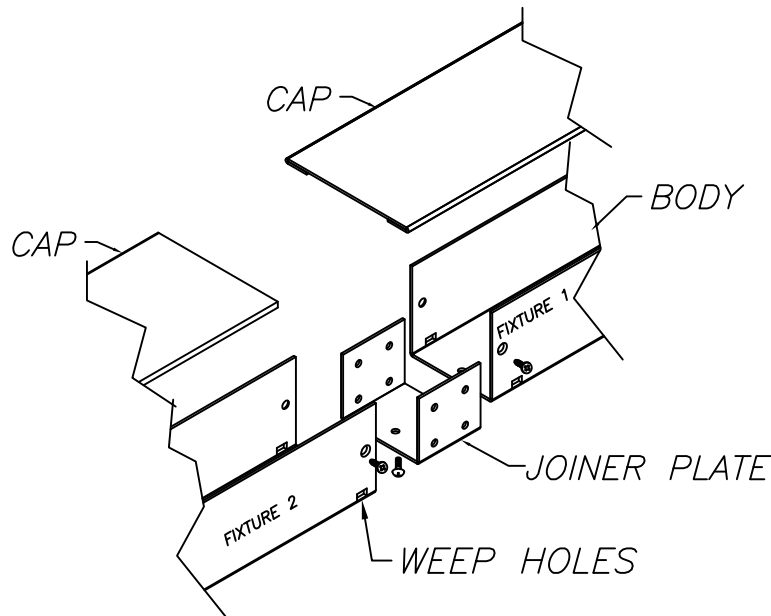
STRAIGHT FIXTURES (SHOWN BELOW)

INSERT JOINER INTO FIXTURE 1, SCREW INTO PLACE USING SCREWS PROVIDED, INSERT JOINER INTO FIXTURE 2, SCREW INTO PLACE.

FOR MITERED CORNERS (NOT SHOWN)

INSERT "L" SHAPED JOINER INTO FIXTURE 1, SCREW INTO PLACE USING SCREWS PROVIDED, INSERT JOINER INTO FIXTURE 2, SCREW INTO PLACE.

ON BOTH STYLE FIXTURES INSURE "WEEP HOLES" ARE CLEAR



NOTE: IT MAY BE NECESSARY WITH 10 FT. CURVED SECTIONS TO APPLY HAND PRESSURE TO CLOSE THE UPRIGHT PORTION OF THE BODY ALONG THE ENTIRE LENGTH BEFORE INSTALLING THE CAP. THIS WILL ENSURE A TIGHT FIT.

ALL DIMENSIONS ARE IN INCHES  
UNLESS OTHERWISE SPECIFIED

**BELFER LIGHTING**

NEW JERSEY, USA - 732-493-2666  
COPYRIGHT © BELFER LIGHTING  
NO RIGHTS ARE GRANTED FOR  
REPRODUCTION, DISCLOSURE, OR USE.

TITLE MQ2502/MQ2504 WET LOCATION INSTALL						
DATE	9/14/17	SCALE	NTS	DRAWN	RPM	APPROVED
SHEET	2 OF 2	DWG. NO.	MQ2502/2504		REV.	0