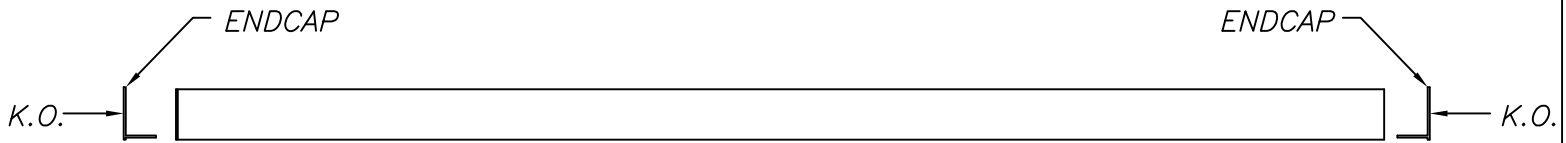
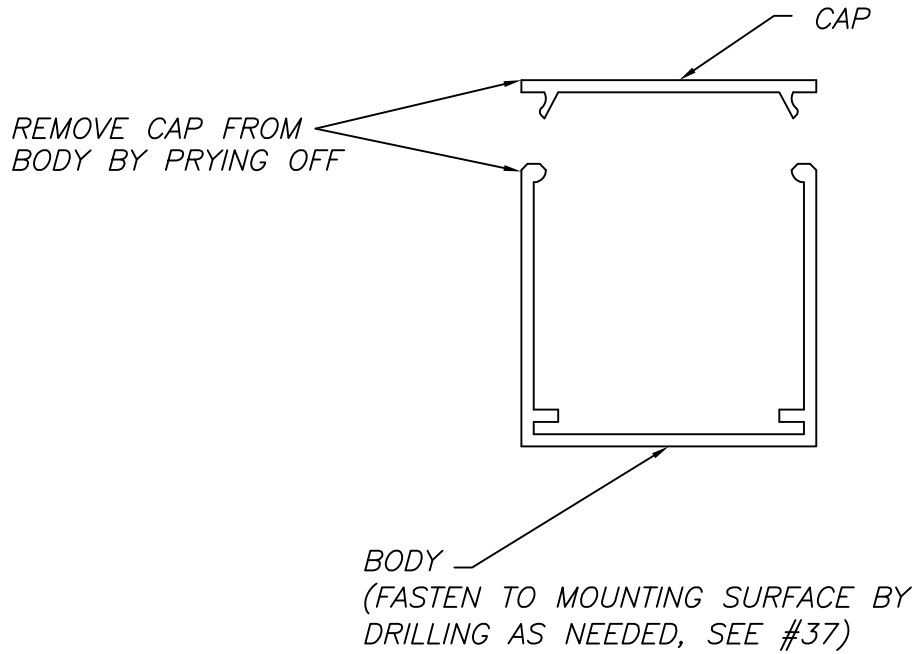


INSTALL INSTRUCTIONS FOR MQ2501 DAMP LOCATION
PLEASE READ ALL INSTRUCTIONS CAREFULLY



WIRING INSTRUCTIONS:

- 1. IMPORTANT: VERIFY ALL POWER HAS BEEN SHUT OFF.....**
2. SEPARATE CAP FROM BODY BY PRYING OFF.
3. SLIDE OUT END CAPS AND KNOCK OUT APPROPRIATE K.O.
4. CONNECT FITTINGS TO END CAP.
5. WIRE IN ACCORDANCE WITH THE N.E.C. CODE AND ANY APPLICABLE LOCAL CODES
6. SLIDE END CAPS INTO PLACE.
7. FASTEN BODY TO MOUNTING SURFACE USING FASTENERS APPROPRIATE TO SITE CONDITIONS, BY DRILLING AS NEEDED.
8. ALIGN BODY AND CAP AND APPLY PRESSURE AND SNAP TOGETHER.

ALL DIMENSIONS ARE IN INCHES
UNLESS OTHERWISE SPECIFIED

BELFER LIGHTING

NEW JERSEY, USA - 732-493-2666
 COPYRIGHT © BELFER LIGHTING
 NO RIGHTS ARE GRANTED FOR
 REPRODUCTION, DISCLOSURE, OR USE.

TITLE 2501MQ INSTALLATION INSTRUCTIONS

DATE 9/28/17 SCALE NTS DRAWN RPM APPROVED

SHEET 1 OF 1 DWG. NO. MQ2501 REV. 0