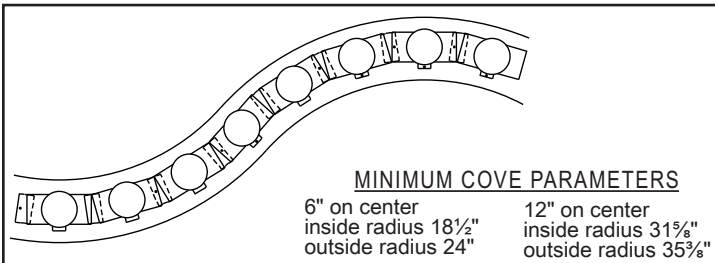


CROSS SECTION

- Field Curvable Marquee
- Medium Base Sockets
- Lamp Options:
 - A Lamps to 75 Watt
 - G25 or G40 to 60 Watt
 - PAR Lamps to 50 Watt
- Lamp Spacing Options:
 - 6" On Center
 - 12" On Center
 - Custom Lamp Spacing Available
- Constructed of formed aluminum
- Satin Aluminum Finish Standard
- Custom Finishes are Available
- Order in 4 foot sections
- UL and CUL Listed Damp Location



PROJECT

TYPE

CATALOG#



CAUTION:
Reflectorized lamps can generate significant heat. Be sure to maintain adequate clearance between lamp and combustible materials.

ACCESSORIES AND FABRICATION SHEETS

- A complete line of optional accessories such as baffles, lamp guards, multi-circuiting, decorative end caps and Decora switches and outlets are available. See Accessory Sheet
- Custom Baffles can be manufactured to your specifications. See Custom Baffle Fabrication Sheet.

Ordering Format *choose one from each category*

SERIES	LAMP SPACING	FINISH	LENGTH
MQ 2502FX2 Field Curvable Marquee	<input type="checkbox"/> 6 6" on center	<input type="checkbox"/> SA Satin Aluminum	<input type="checkbox"/> 48 48" Length
	<input type="checkbox"/> 12 12" on center	<input type="checkbox"/> CC Custom Color	



Modifications and custom configurations are available. Please contact our Sales Department.

These products protected by one or more of the following U.S. Patent Numbers 5,448,460, 5,221,139 & 5,452,187. Other patents pending.



PROJECT

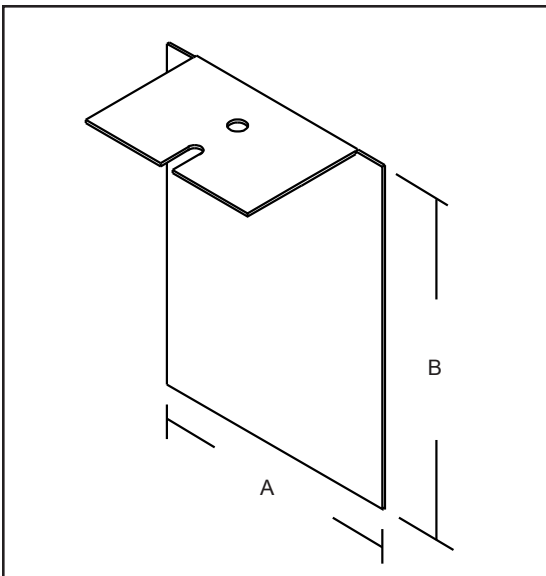
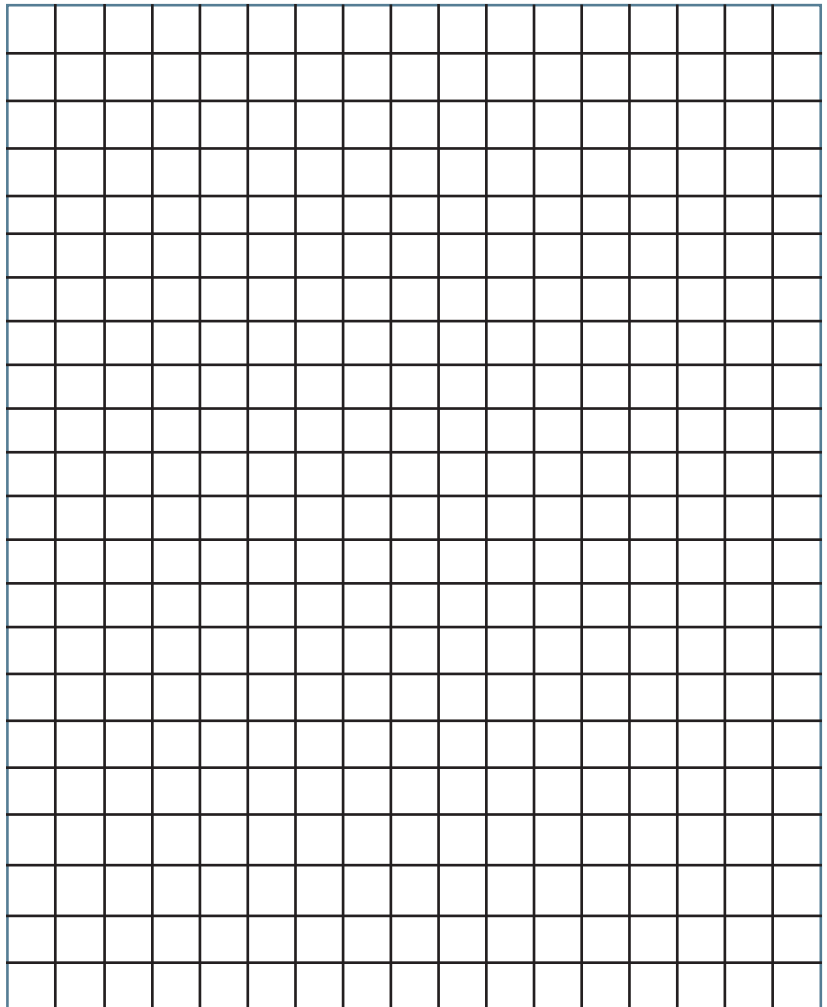
TYPE

CATALOG#

YOUR CUSTOM BAFFLE CAN BE INCORPORATED INTO ANY BELFER MARQUEE FIXTURE. CHOOSE FROM A STANDARD BAFFLE DESIGN AND SIZE BELOW OR DRAW YOUR OWN TO DISCUSS THE POSSIBILITIES. ALL REFLECTORS REQUIRE FIELD DRILLING UNLESS ORDERED WITH THE FIXTURE.

SELECT BAFFLE DESIGN:

- | <u>BAFFLES</u> | <u>A x B</u> |
|------------------------------|--|
| <input type="checkbox"/> B4B | 4"x6" Black |
| <input type="checkbox"/> B5B | 5"x7" Black |
| <input type="checkbox"/> B2B | 2½"x3½" Black |
| <input type="checkbox"/> BCC | Custom Color Baffle
Contact Factory |
| <input type="checkbox"/> BCB | Custom Baffle
Job Plans or Drawings
are Required |



MULTI-CIRCUITING:

Standard product is prewired for single circuit

- DCT 2 Circuit, Per Foot
- TCT 3 Circuit, Per Foot
- QCT 4 Circuit, Per Foot
- MCT Custom Multi Circuit, Per Foot

NOTE:

- Multi-Circuiting diagram is required
- Multi-Circuiting must be ordered with a MQ 2500 series Marquee strip



SWITCH AND OUTLET:

For MQ 2502 and MQ 2504 Series

- DSWT Decora Switch, 15 amp White
- DOWT Decora Outlet, 15 amp White

NOTE:

- Decora switch and outlet for MQ 2502 and MQ 2504 series only
- Field modification required unless ordered with fixture
- Switch and outlet are UL and CUL Listed Damp Location only
- Please indicate placement on fixture with order
- Minimum distance to end of fixture is 2"
- Minimum distance between accessories is 2"
- Minimum distance between accessories and center of nearest socket is 4"



PROJECT

TYPE

CATALOG#

DECORATIVE END CAPS:

For MQ 2501, MQ 2502, MQ 2504 and MQ 2505 Series

- ECWT 2" White Decorative End Cap
- ECBK 2" Black Decorative End Cap
- ECSA 2" Satin Aluminum Decorative End Cap

For MQ 2503 Series

- EC3WT 1½" White Decorative End Cap
- EC3BK 1½" Black Decorative End Cap
- EC3SA 1½" Satin Aluminum Decorative End Cap

